

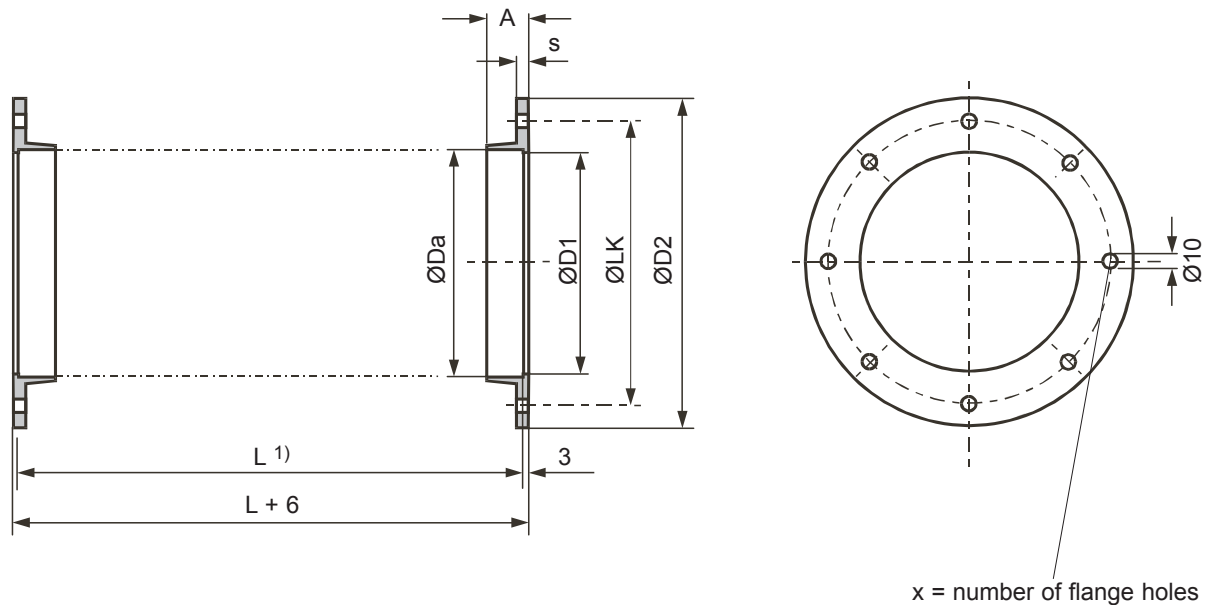
TROX GmbH

Heinrich-Trox-Platz  
47504 Neukirchen-Vluyn  
Telefon +49(0)2845/202-0  
Telefax +49(0)2845/202-265  
www.trox.de  
e-mail trox@trox.de

Product information

Design changes of plastic flanges  
for

**TVRK, TVLK, AKK, VMRK, VMLK  
and CAK**



1)  $L = \text{Old casing length}$

### Dimensions in mm

D	ØDa	ØD1	ØD2	ØLK	A	s	x
125	125	122	185	165	30	8	8
160	160	156	230	200	30	8	8
200	200	196	270	240	30	8	8
250	250	246	320	290	30	8	12
315	315	310	395	350	30	10	12
400	400	393	475	445	30	10	16

Seal provided by customer or separately ordered from Trox.  
For units with counterflange: Seal supplied by Trox!