

TROX GmbH

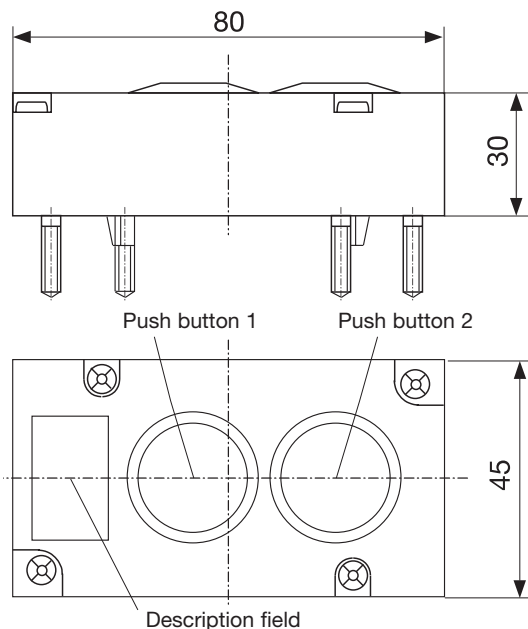
Heinrich-Trox-Platz
D-47504 Neukirchen-Vluyn
Telephone +49/28 45/2 02-0
Telefax +49/28 45/2 02-2 65
e-mail trox@trox.de
www.troxtechnik.com

Product Information TROXNETCOM-AS-Interface TNC-Z0047 (TNC-A2018 + TNC-A5010)

PI/7.1/15/EN/1

TNC-Z0047 illuminated push button module

The AS-i illuminated push button modules with the standardized EMS-interface can make the connection between the AS-i controller and the service personnel. The connection to the AS-i cable is made through FK or primary group lower modules (TNC-A5010) for flat or round cables. The modules have the IP 67 high type of protection and can be mounted directly on site. The illuminated push button modules do not need any additional power supply. The push buttons are protected from unintentional operation. The integrated LED has a high luminous efficiency at a low working current.



Technical data

Order code	TNC-Z0047
Electrical configuration	
Supply voltage [V]	26.5 ... 31.6 DC
Current consumption [mA]	≤55 (one LED)
AS-i interface polarity protection	Yes
AS-i profile	S3.F
I/O configuration [Hex]	3
ID code [Hex]	F
AS-i certification	Yes
Databit D0 on	Button 2 (red)
Databit D1 on	Button 1 (green)
Databit D2 on	LED 2 (red)
Databit D3 on	LED 1 (green)
Parameter bit	not used
Ambient temperature [°C]	-25 ... +60
Protection, Safety class	IP 67
AS-i profile	S 3.F
I/O configuration [Hex]	3
ID code [Hex]	F
EMC	EN 50081-1; EN 50082-2
Housing materials	PBTP
Dimensions (L x W x H) [mm]	80 x 45 x 50
Connection	The LED is supplied by the AS-I line through the contact pins in the FK or primary group lower modules.

A great variety of additional AS-i components, e.g., analog modules, temperature measurement modules, fan modules etc., can be found in the catalogs of the AS-i manufacturers, e.g., ifm electronics, Siemens, Moeller or on the Internet Webpage www.AS-interface.net.

If you should have questions, contact our technical advisors. We are at your disposal for any advice.