

# Product Information Update

**Subject:** Plenum Boxes for Grilles

**Date:** July 2007

**Applicability:** Leaflets 1/1.1/B/2, 1/1.2/B/1  
1/1.3/B/1

**Ref:** PIU 1/1/551

PIU Issued: YES

NO

Please find attached the latest data sheets covering plenum boxes for finite and linear grilles.

This data supersedes data sheet AKGRILLE Issue 3 dated 13/09/01.

AKG-M/F-S11 ISSUE 2 DATED 28/09/04

AKG-M/F-O ISSUE 2 DATED 28/09/04

AKG-F-X ISSUE 2 DATED 28/09/04

AKG-F-S11 ISSUE 2 DATED 28/09/04

AKG-F-O ISSUE 2 DATED 28/09/04

C A Palfrey



**Associate Technical Director**

AKG-M/F-O-DATA

**Rectangular Plenum to Fit Linear/Finite Grilles:**

AH/ WAP/ AHR/ WAPR/ AT/ VAT

**Available Sizes:**

Min "H"=100/ Max "H"= 300; Min "L"=100/ Max "L1" = 2100

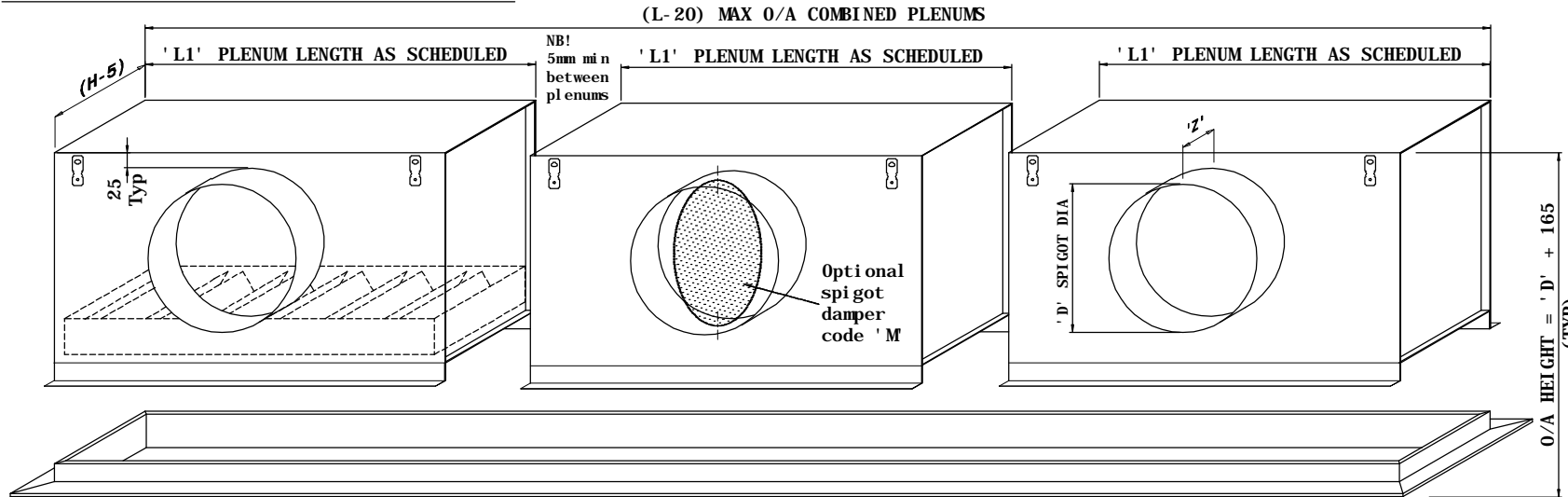
**Typical Code Example:**

AKG- (M/F) - (GRILLE) - (A/AG/DG/D) - (ZH/AH) - (O/D) - (O/M) / 'H' x' L' x' D' x' N' / 0/ 0/0

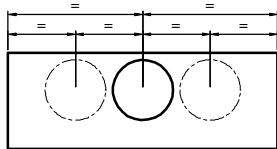
**"O" Fix :**

Side Entry Plenums 'ZH' (Supply) / 'AH' (Return)  
c/w Loose Flanges;  
For Linear Grilles (& Finite where 'L' > 2' H')

**MULTIPLE PLENUMS ON LINEAR GRILLE:**



**Typical Code Example:** AKG-M- (GRILLE) - (A/AG/DG/D) - (ZH/AH) - (O/D) - (O/M) / 'H' x' L' x' D' x' N' / 0/ 0/0



Spigot Locations ['N' = 1 or 2]  
(typ. for side & top entry)

SPIGOT 'Z' 'D'

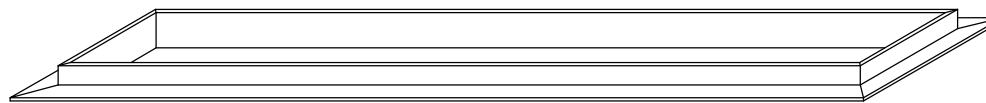
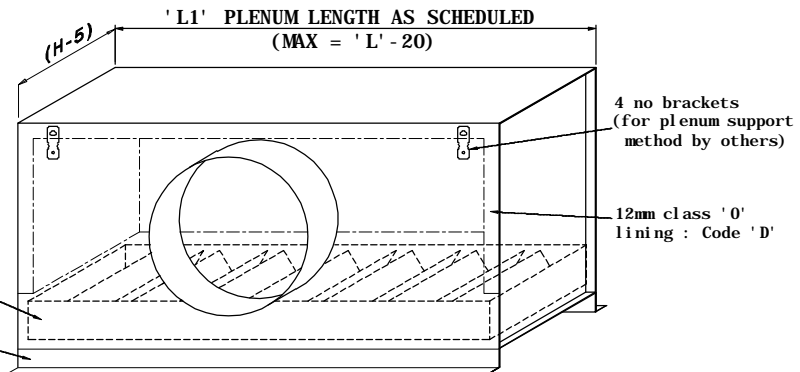
-0-	40	ALL
-M	75	UP TO 158
-M	100	OVER 158

NB! SEE BELOW FOR AVAILABLE SPIGOT SIZES

**PLENUM ON FINITE GRILLE:  
(Any length up to L-20)**

NOTE! Rear ass'y if required must be ordered with PLENUM

Flanges supplied loose in 1800mm lengths for site cutting & fitting to plenum as necessary



**Typical Code Example:** AKG-F- (GRILLE) - (A/AG/DG/D) - (ZH/AH) - (O/D) - (O/M) / 'H' x' L' x' D' x' N' / 0/ 0/0

NOTE! - AVAILABLE SPIGOT SIZES 'D' : 73 / 78 / 98 / 123 / 138 / 148 / 158 / 178 / 198 / 222 / 248 / 278 / 298 / 313 / 348 / 353 / 398 / 448 / 498 / 558

ISSUE 2 : 28/09/04

Product Information:  
AKG-M PLENUMS FOR LINEAR OR FINITE GRILLE [ 'O' FIX ]  
FOR TYPES - ZH/AH (SIDE ENTRY)  
TO SUIT GRILLE TYPES :  
(LINEAR) AH/ WAP & (FINITE) AH/ WAP/ AT/ VAT/ AE/ AP/ AR

**TROX® TECHNIK**

Trox (UK) Limited  
GB-Thetford Norfolk IP24 3SQ  
Telephone 01842/754545  
Telefax: 01842/763051

**Product Information:**

'AKG-F' FINITE GRILLE PLENUM DETAILS ['X' FIX]  
 FOR TYPES -ZH/AH- (SIDE ENTRY) -ZV/AV- (TOP ENTRY)  
 TO SUIT GRILLE TYPES :  
 AH/ WAP/ AT/ VAT/ AE/ AHR/ WAPR

**"X" Fix" : FINITE Plenum riveted or screwed to neck (on site by others)**

**Square or Rectangular Finite Plenum to Fit Grille:**

AT/ AH/ WAP/ AE/ VAT/ AP/ AR/ AHR/ WAPR

**Available Sizes:**

min "H"=100 Max "H"= 600  
 min "L"=100 Max "L"= 2 x "H" (UP TO 1200)

**Typical Code Example:**

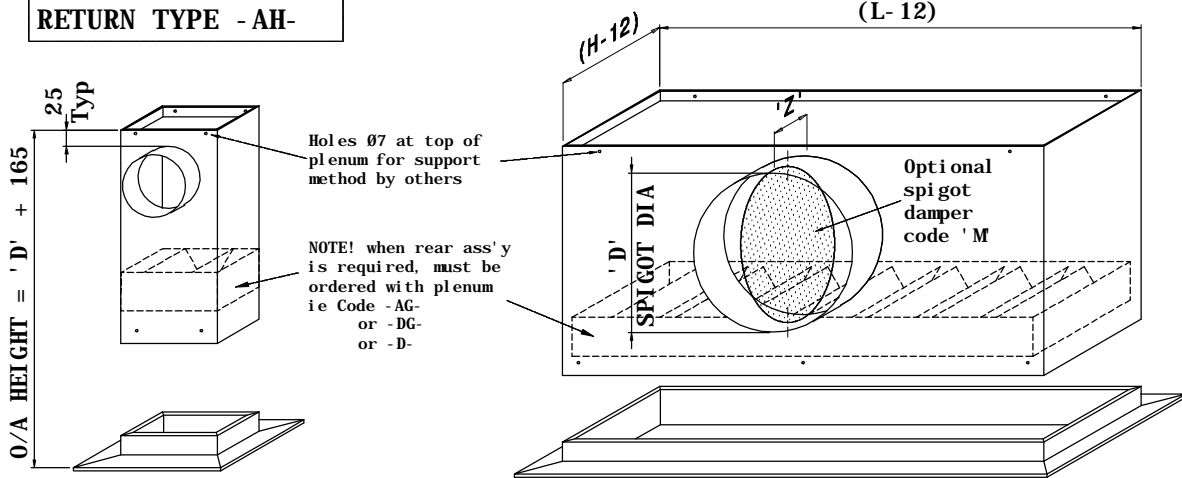
AKG-F- (GRILLE) - (A/AG/DG/D) - (ZH/AH/ZV/AV) - (O/D) - (O/M) /150x150x' D' x' N' /O/ X/O

SPIGOT	'Z'	'D'
-O-	40	ALL
-M	75	UP TO 158
-M	100	OVER 158

NB! SEE BELOW FOR AVAILABLE SPIGOT SIZES

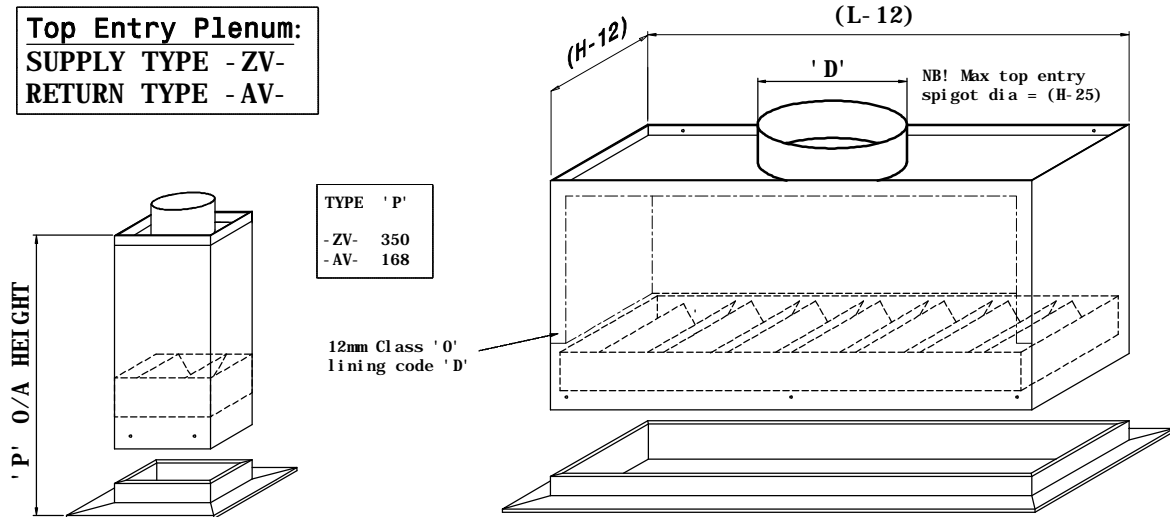
**Side Entry Plenum:**

SUPPLY TYPE -ZH-  
 RETURN TYPE -AH-



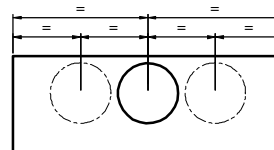
**Top Entry Plenum:**

SUPPLY TYPE -ZV-  
 RETURN TYPE -AV-



**Options:**

- Rear Ass'y : Damper Code 'AG'
- : Additional blade set Code 'D'
- : Combined Code 'DG'
- Plenum Lining : Code 'D' [Supply plenum only]
- Spigot Damper : Code 'M' [Side entry only]
- No. Spigots : Quantity 'N' [see detail]



Spigot Locations ['N' = 1 or 2]  
 (typ. for side & top entry)

NOTE! - AVAILABLE SPIGOT SIZES 'D' : 73 / 78 / 98 / 123 / 138 / 148 / 158 / 178 / 198 / 222 / 248 / 278 / 298 / 313 / 348 / 353 / 398 / 448 / 498 / 558

**Product Information:**

'AKG-F' FINITE GRILLE PLENUM DETAILS ['S11' FIX ]  
 FOR TYPES -ZH/AH- (SIDE ENTRY) -ZV/AV- (TOP ENTRY)  
 TO SUIT GRILLE TYPES :  
 AH/ WAP/ AT/ VAT/ AE/ AP/ AHR/ WAPR

**"S11" Fix : FINITE Plenum**

**Square or Rectangular Finite Plenum to Fit Grille:**

AT/ AH/ WAP/ AE/ VAT/ AP/ AHR/ WAPR

**Available Sizes:**

min "H"=100 Max "H"= 600  
 min "L"=100 Max "L"= 2 x "H" (UP TO 1200)

**Typical Code Example:**

AKG-F- (GRILLE)- (A/AG/DG/D)- (ZH/AH/ZV/AV)- (O/D)- (O/M)/150x150x'D' x'N' / (B30/B20)/S11/0

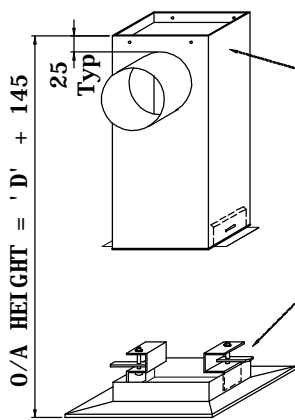
**SPIGOT 'Z' 'D'**

-0-	40	ALL
-M-	75	UP TO 158
-M-	100	OVER 158

NB! SEE BELOW FOR AVAILABLE SPIGOT SIZES

**Side Entry Plenum:**

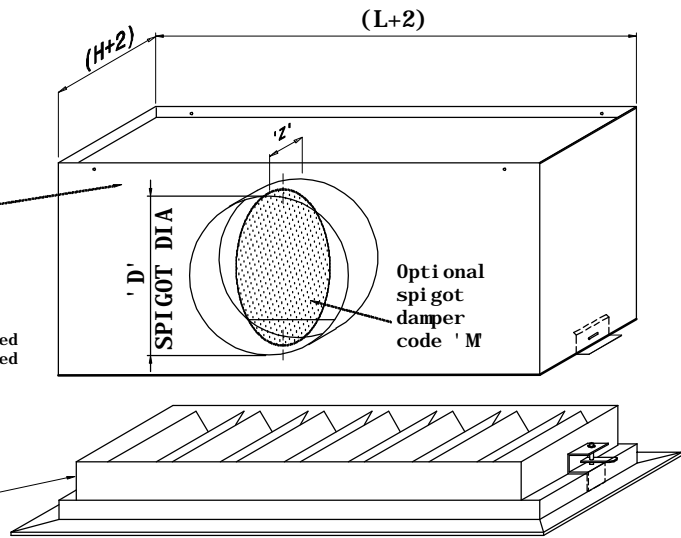
SUPPLY TYPE -ZH-  
 RETURN TYPE -AH-



Holes Ø7 at top of plenum for support method by others

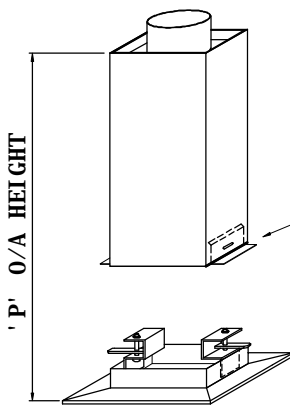
Concealed fasteners fitted to grille border; operated via screwdriver through grille face to locate on sub-frame cleats

NOTE! Rear ass'y if required must be ordered with grille



**Top Entry Plenum:**

SUPPLY TYPE -ZV-  
 RETURN TYPE -AV-



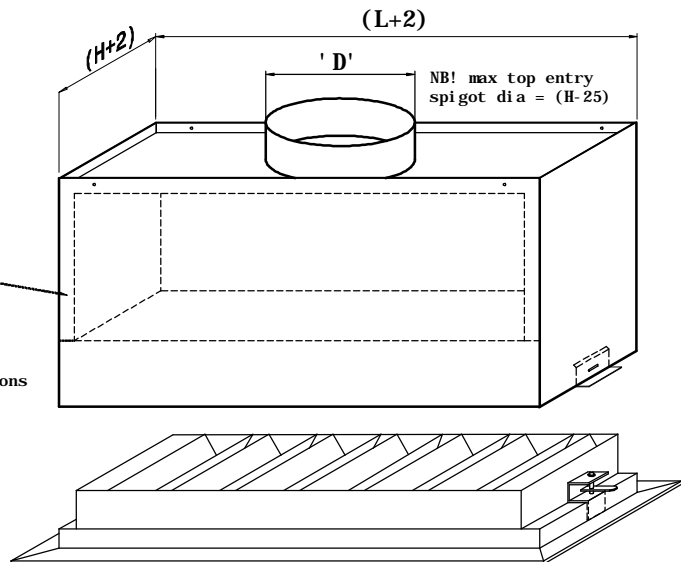
**TYPE 'P'**

-ZV-	350
-AV-	168

12mm class '0' lining : Code 'D'

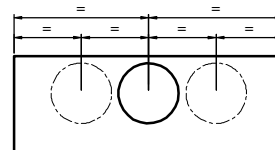
Sub-Frame cleats supplied loose for site fitting to plenum at fastener locations

Grille type	Code
AHR/ WAPR	-B20-
ALL OTHERS	-B30-



**Options:**

- Rear Ass'y : Not part of plenum supply!  
Any rear ass'y (AG/ DG/ D) will be supplied with grille
- Plenum Lining : Code 'D' [Supply plenum only]
- Spigot Damper : Code 'M' [Side entry only]
- No. Spigots : Quantity 'N' [see detail]



Spigot Locations ['N' = 1 or 2]  
 (typ. for side & top entry)

NOTE! - AVAILABLE SPIGOT SIZES 'D' : 73 / 78 / 98 / 123 / 138 / 148 / 158 / 178 / 198 / 222 / 248 / 278 / 298 / 313 / 348 / 353 / 398 / 448 / 498 / 558

Trox (UK) Limited

GB-Thetford Norfolk IP24 3SQ  
 Telephone 01842/754545  
 Telefax: 01842/763051

# TROX<sup>®</sup> TECHNIK

**Product Information:**

'AKG-F' FINITE GRILLE PLENUM DETAILS ['O' FIX]  
 FOR TYPES -ZH/AH- (SIDE ENTRY) -ZV/AV- (TOP ENTRY)  
 TO SUIT GRILLE TYPES :  
 AH/ WAP/ AT/ VAT/ AE/ AP/ AR

**"O" Fix : FINITE Plenum c/w Flanges**

**Square or Rectangular Finite Plenum to Fit Grille:**

AT/ AH/ WAP/ AE/ VAT/ AP/ AR

**Available Sizes:**

min "H"=100 Max "H"= 600  
 min "L"=100 Max "L"= 2 x "H" (UP TO 1200)

**Typical Code Example:**

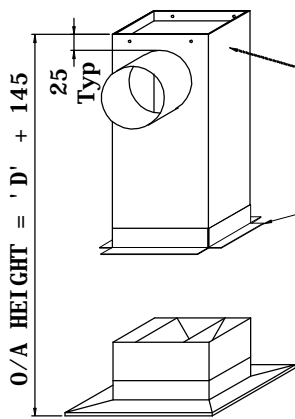
AKG-F- (GRILLE) - (A/AG/DG/D) - (ZH/AH/ZV/AV) - (O/D) - (O/M) /150x150x'D' x'N' /O/ O/O

SPIGOT	'Z'	'D'
-O-	40	ALL
-M-	75	UP TO 158
-M-	100	OVER 158

NB! SEE BELOW FOR AVAILABLE SPIGOT SIZES

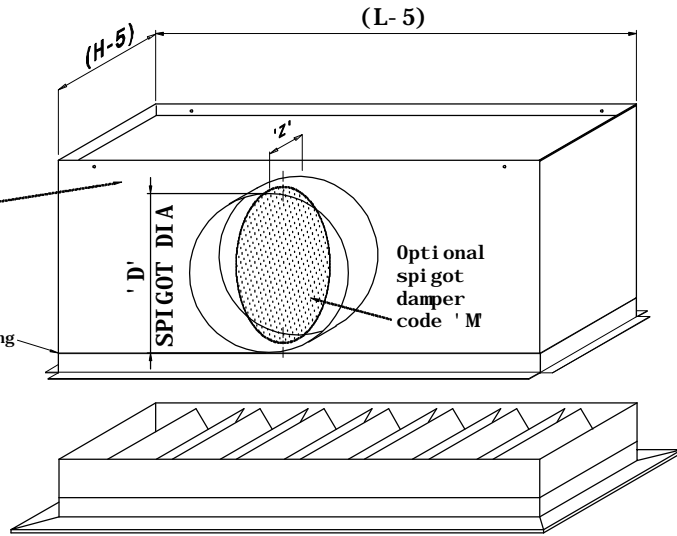
**Side Entry Plenum:**

SUPPLY TYPE -ZH-  
 RETURN TYPE -AH-



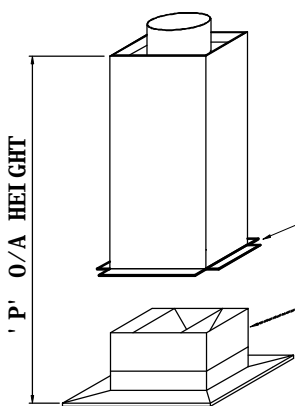
Holes Ø7 at top of plenum for support method by others

NB - TYPES ZH/AH ONLY!  
 Flanges supplied loose for site cutting & fitting to plenum as necessary



**Top Entry Plenum:**

SUPPLY TYPE -ZV-  
 RETURN TYPE -AV-

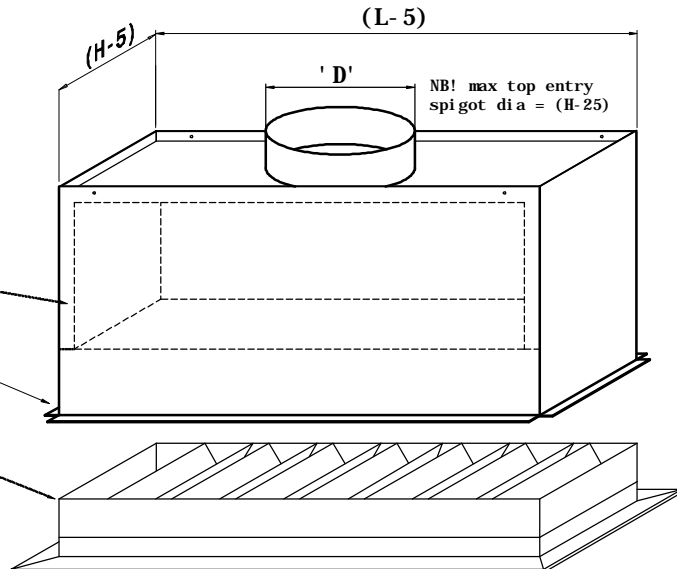


TYPE	'P'
-ZV-	350
-AV-	168

12mm class 'O' lining : Code 'D'

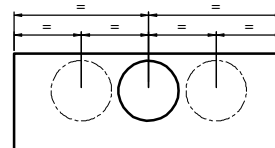
NB - TYPES ZV/AV ONLY!  
 Integral plenum flanges

NOTE! Rear ass'y if required must be ordered with grille



**Options:**

- Rear Ass'y : Not part of plenum supply!  
 Any rear ass'y (AG/ DG/ D) will be supplied with grille
- Plenum Lining : Code 'D' [Supply plenum only]
- Spigot Damper : Code 'M' [Side entry only]
- No. Spigots : Quantity 'N' [see detail]



Spigot Locations ['N' = 1 or 2] (typ. for side & top entry)

NOTE! - AVAILABLE SPIGOT SIZES 'D' : 73 / 78 / 98 / 123 / 138 / 148 / 158 / 178 / 198 / 222 / 248 / 278 / 298 / 313 / 348 / 353 / 398 / 448 / 498 / 558

All rights reserved © Trox (UK) Limited. Design changes reserved.

AKG-M-F-S11-DATA

**Rectangular Plenum to Fit Linear & Finite Grille:**

AH/ WAP/ AHR/ WAPR/ AT/ VAT

**Available Sizes:**

Min "H"=100/ Max "H"= 300; Min "L"=100/ Max "L1" = 2100

**Typical Code Example:**

AKG-(M/F)-(GRILLE)-(A/AG/DG/D)-(ZH/AH)-(0/D)-(0/M)/'H'x'L'x'D'x'N'/0/0/0

**"S11" Fix :**

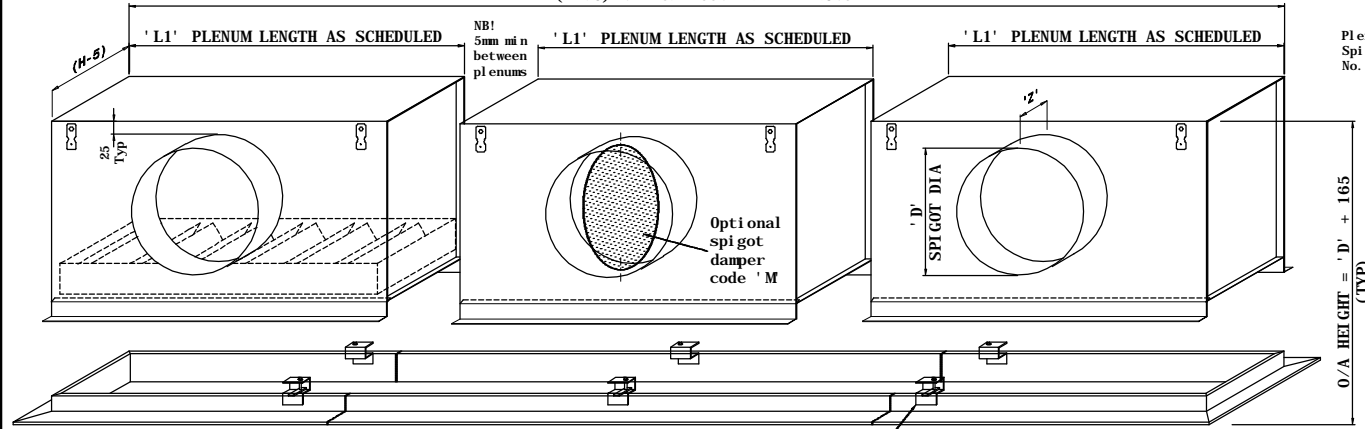
Side Entry Plenums 'ZH' (Supply)/ 'AH' (Return)  
c/w Sub-Frame for Grille attachment;  
For Linear & Finite Grilles

**Options:**

- Rear Ass'y : Damper Code 'AG'
- Additional Blade Set 'D'
- Combine Code 'DG'
- Plenum Lining : Code 'D' [Supply plenum only]
- Spigot Damper : Code 'M'
- No. Spigots : Quantity 'N' [see detail]

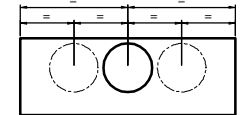
**MULTIPLE PLENUMS ON LINEAR GRILLE:**

(L-70) MAX O/A COMBINED PLENUMS



**Typical Code Example:**

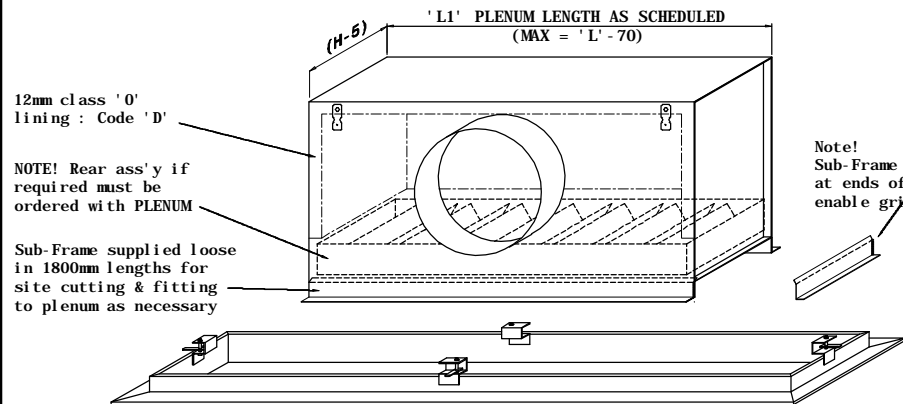
AKG-M-(GRILLE)-(A/AG/DG/D)-(ZH/AH)-(0/D)-(0/M)/'H'x'L'x'D'x'N'/L30/S11



SPIGOT 'Z' 'D'	
-0-	40 (ALL)
-M	75 (UP TO 158)
-M	100 (OVER 158)

NB-SEE BELOW FOR AVAILABLE SPIGOT SIZES

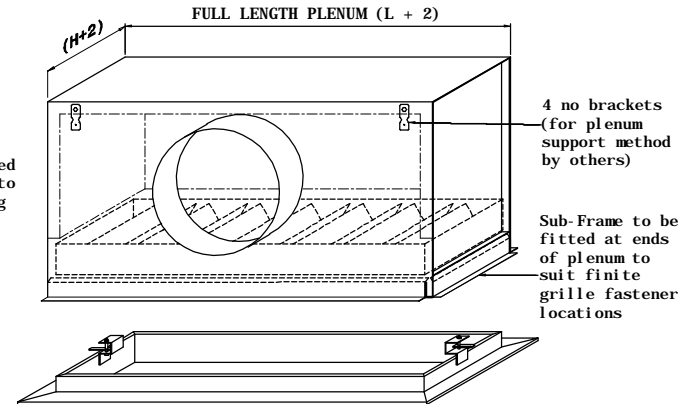
**RANDOM PLENUM(s) ON LINEAR GRILLE  
(OR FINITE GRILLE WHERE 'L' > 1250):**



**Typical Code Example:**

AKG-M-(GRILLE)-(A/AG/DG/D)-(ZH/AH)-(0/D)-(0/M)/'H'x'L'x'D'x'N'/L30/S11

**FULL LENGTH PLENUM FOR FINITE GRILLE  
WHERE 'L' < 1250):**



**Typical Code Example:**

AKG-F-(GRILLE)-(A/AG/DG/D)-(ZH/AH)-(0/D)-(0/M)/'H'x'L'x'D'x'N'/L30/S11

NOTE! - AVAILABLE SPIGOT SIZES 'D' : 73 / 78 / 98 / 123 / 138 / 148 / 158 / 178 / 198 / 222 / 248 / 278 / 298 / 313 / 348 / 353 / 398 / 448 / 498 / 558

ISSUE 2 - 28/09/04

**TROX**<sup>®</sup> **TECHNIK**

**Product Information:**  
PLENUMS FOR LINEAR OR FINITE GRILLE [ 'S11' FIX ]  
FOR TYPES - ZH/AH - (SIDE ENTRY)  
TO SUIT GRILLE TYPES :  
(LINEAR) AH/ WAP/ AHR/ WAPR  
(FINITE) AH/ WAP/ AT/ VAT/ AE/ AP/ AR

Trox (UK) Limited  
GB-Thetford Norfolk IP24 3SQ  
Telephone 01842/754545  
Telefax: 01842/763051