

Product Information Update

Subject: DK/DKM

Date: December 1999

Applicability: 6/1.1/B/1

Ref: PIU 1/3/372

Please find attached the following dimensional data sheets for attenuator slabs, and cased attenuators.

Data Sheet Ref. DK Issue 1 November 1999

Data Sheet Ref. DS Issue 1 November 1999



C A Palfrey
Associate Technical Director

Trox (UK) Limited

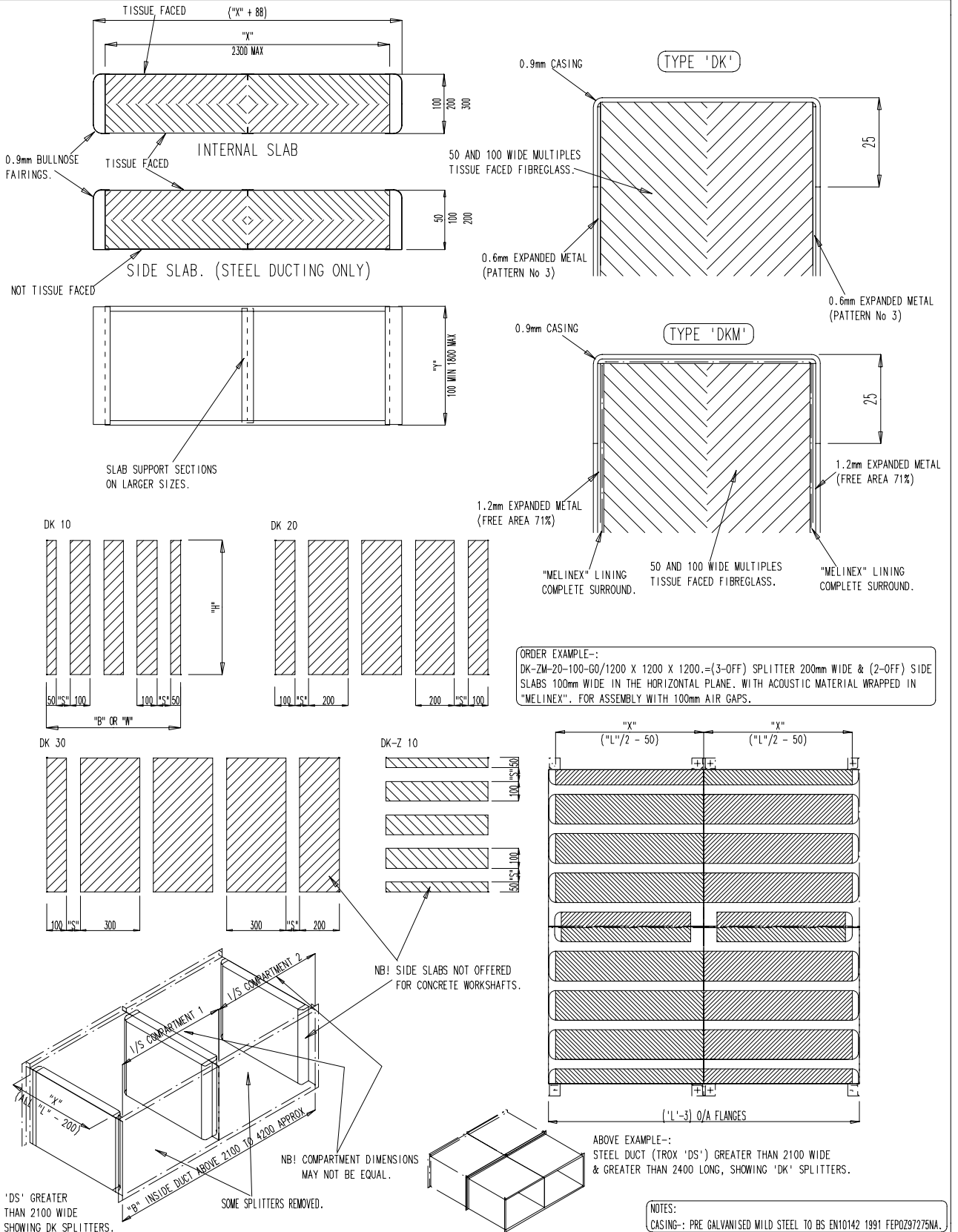
GB-Thetford Norfolk IP24 3SQ
 Telephone 01842/754545
 Telefax: 01842/763051

TROX[®] TECHNIK

Product Information
 DK AND DKM ATTENUATOR SLAB. (SPLITTER)
 FOR ASSEMBLY INTO STEEL OR CONCRETE DUCTS.

FILE NAME H:\EDD\DATA\NEW\DK

STORIED AS H:\EDD\DATA\NEW\DK. All rights reserved © Trox (UK) Limited. Design changes reserved.



Trox (UK) Limited

GB-Thetford Norfolk IP24 3SQ
 Telephone 01842/754545
 Telefax: 01842/763051

TROX[®] TECHNIK

Product Information
 DS AND DSH RECTANGULAR ATTENUATOR CASING.
 DSB VERTICAL AND DSBZ HORIZONTAL BEND
 ATTENUATOR CASING.

FILE NAME H:\EDD\DATA\NEWS

- ITEM DESCRIPTION
- CASING PRE GALVANISED MILD STEEL, GENERALLY 0.9mm AND 1.0mm, DUCTWORK DW144 CLASS B COMPLIANT, EXCEPT TYPE "DSH".
 - "DOBY" FLANGES 20mm, 30mm AND 40mm. TO BE SPECIFIED.
 OR b ROLLED STEEL ANGLE FLANGES, 25mm, 40mm AND 50mm. TO BE SPECIFIED.
 - M10 FIXINGS IN SETS FOR BOLTING MULTI-MODULES.

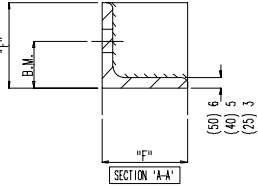
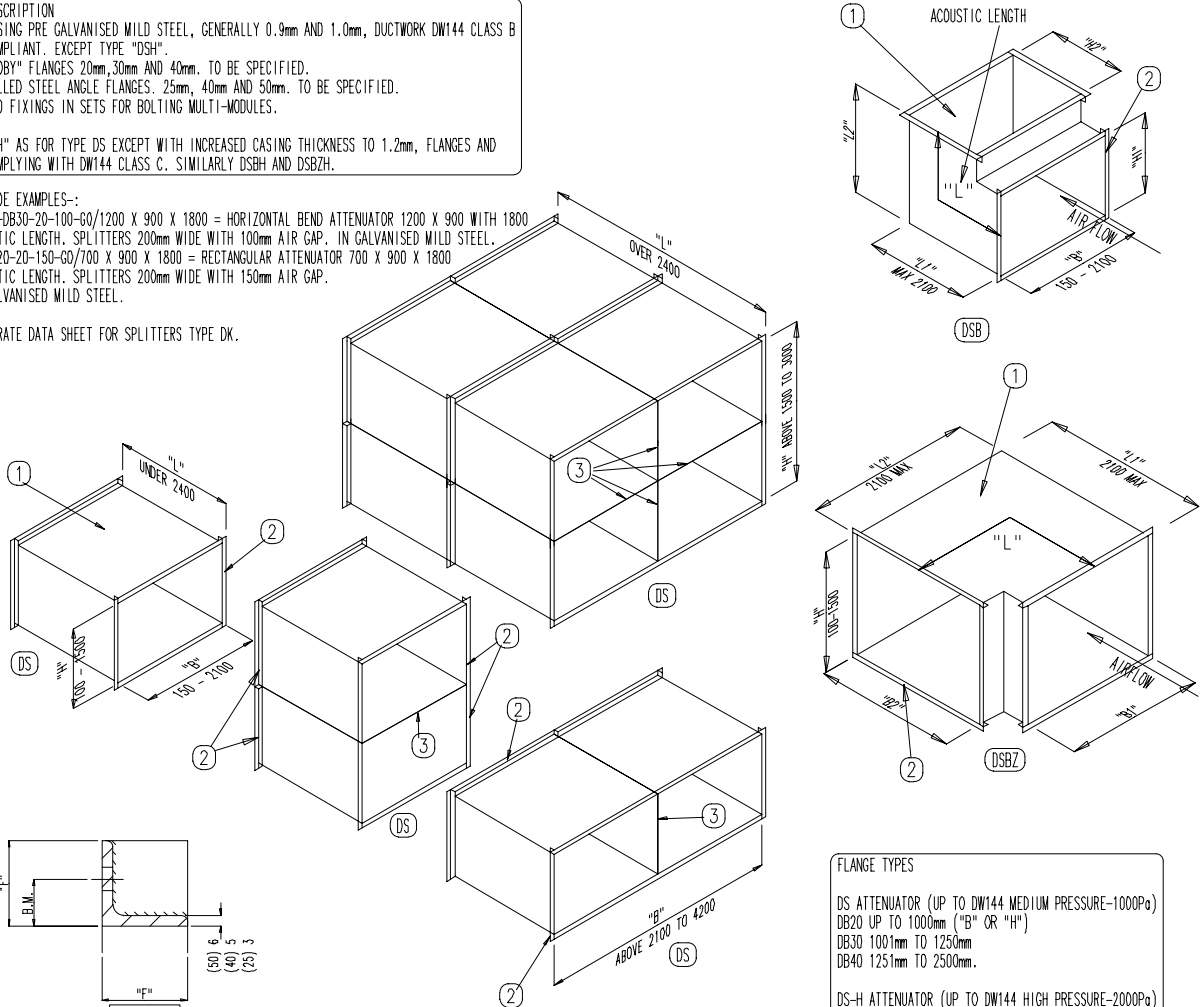
TYPE "DSH" AS FOR TYPE DS EXCEPT WITH INCREASED CASING THICKNESS TO 1.2mm, FLANGES AND SEAMS COMPLYING WITH DW144 CLASS C. SIMILARLY DSHH AND DSBZH.

ORDER CODE EXAMPLES:-

- DS-BZ-DB30-20-100-60/1200 X 900 X 1800 = HORIZONTAL BEND ATTENUATOR 1200 X 900 WITH 1800 ACOUSTIC LENGTH. SPLITTERS 200mm WIDE WITH 100mm AIR GAP. IN GALVANISED MILD STEEL.
- DS-DB20-20-150-60/700 X 900 X 1800 = RECTANGULAR ATTENUATOR 700 X 900 X 1800 ACOUSTIC LENGTH. SPLITTERS 200mm WIDE WITH 150mm AIR GAP. IN GALVANISED MILD STEEL.

SEE SEPARATE DATA SHEET FOR SPLITTERS TYPE DK.

STORED AS H:\EDD\DATA\NEWS.DS. All rights reserved © Trox (UK) Limited. Design changes reserved.



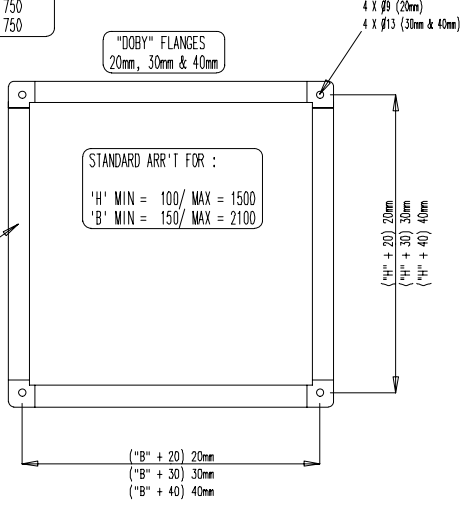
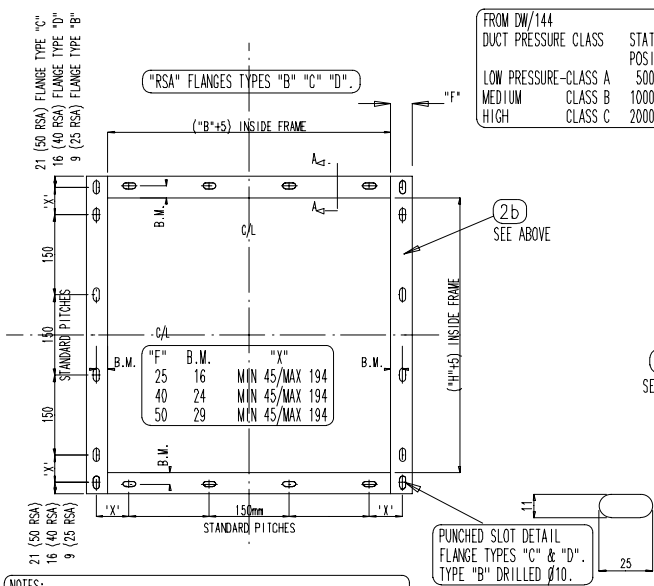
FLANGE TYPES

DS ATTENUATOR (UP TO DW144 MEDIUM PRESSURE-1000Pa)
 DB20 UP TO 1000mm ("B" OR "H")
 DB30 1001mm TO 1250mm
 DB40 1251mm TO 2500mm.

DS-H ATTENUATOR (UP TO DW144 HIGH PRESSURE-2000Pa)
 DB20 UP TO 800mm
 DB30 801mm TO 1000mm
 DB40 1001mm TO 1600mm
 FLANGE TYPE "C" 1601mm-2500mm.

FROM DW144

DUCT PRESSURE CLASS	STATIC PRESSURE LIMIT	
	POSITIVE	NEGATIVE
LOW PRESSURE-CLASS A	500	500
MEDIUM CLASS B	1000	750
HIGH CLASS C	2000	750



NOTES:
 CASING:- PRE GALVANISED MILD STEEL TO BS EN10142 1991 FEPO297275NA.