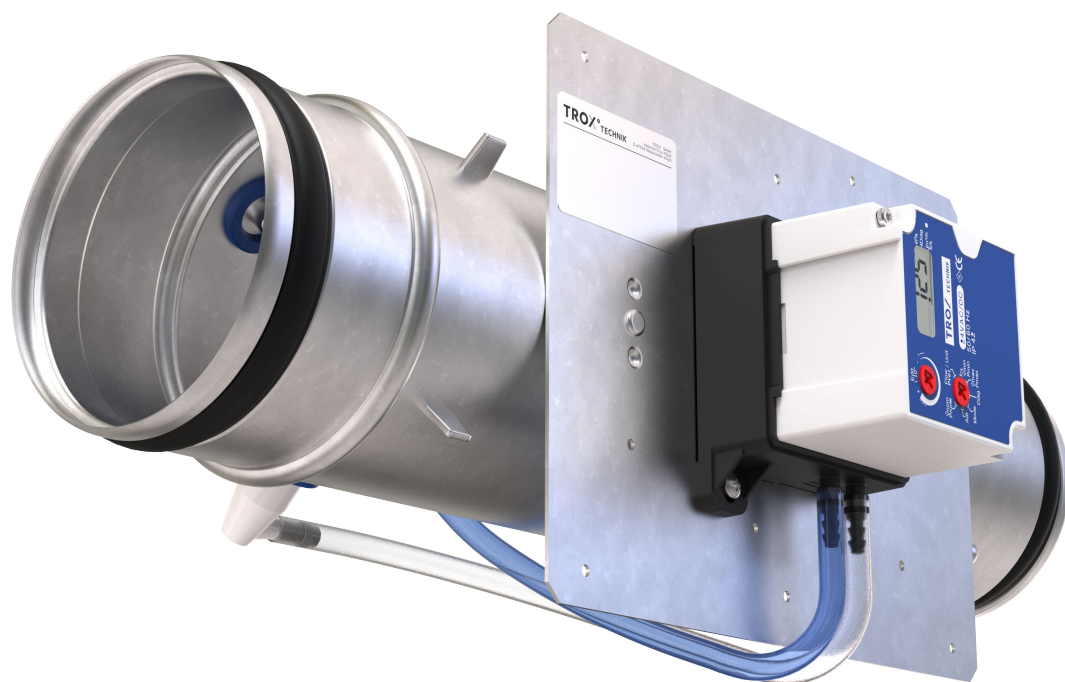




# Volume flow rate measuring unit

VMR



**TROX<sup>®</sup> TECHNIK**  
The art of handling air

**TROX GmbH**

Heinrich-Trox-Platz

47504 Neukirchen-Vluyn

Germany

Telephone: +49 (0) 2845 202-0

Fax: +49 (0) 2845 202-265

E-mail: [trox-de@troxgroup.com](mailto:trox-de@troxgroup.com)

Internet: [www.troxtechnik.com](http://www.troxtechnik.com)

CD10028, 2, GB/en

01/2024

© TROX GmbH 2023

## General information

### Information about installation and commissioning instructions

This installation and commissioning manual enables operating or service personnel to use the volume flow rate measuring unit (hereinafter also referred to as measuring unit or unit) safely and efficiently.

The manual must be kept near the unit to be available for use at all times.

The personnel performing work on the device must read and understand this manual carefully before starting any work. The basic prerequisite for safe working is to comply with the safety notes and all instructions in this manual.

The local regulations for health and safety at work and the general safety regulations for the area of application of the ventilation unit also apply.

Illustrations in this manual are mainly for information and may differ from the actual design.

### Other applicable documentation

In addition to these instructions, the following documents must be observed:

- Product data sheets
- Instructions for the electrical measuring transducers (differential pressure transducers)
- Project-specific wiring documents, if any

### TROX Technical Support

To ensure that your request is processed as quickly as possible, please have the following information ready:

- Product designation
- TROX order number
- Delivery date
- Issue or fault log ↪ *Chapter 8.1 'Troubleshooting' on page 21*

Online	<a href="http://www.troxtechnik.com">www.troxtechnik.com</a>
Phone	+49 2845 202-0

### Safety notes

Symbols are used in this manual to alert readers to areas of potential hazard. Signal words express the degree of the hazard.

Comply with all safety instructions and proceed carefully to avoid accidents, injuries and damage to property.

#### **DANGER!**

Imminently hazardous situation which, if not avoided, will result in death or serious injury.

#### **WARNING!**

Potentially hazardous situation which, if not avoided, may result in death or serious injury.

#### **CAUTION!**

Potentially hazardous situation which, if not avoided, may result in minor or moderate injury.

#### **NOTICE!**

Potentially hazardous situation which, if not avoided, may result in property damage.

#### **ENVIRONMENT!**

Environmental pollution hazard.

### Tips and recommendations




*Useful tips and recommendations as well as information for efficient and fault-free operation.*

## Safety notes as part of instructions

Safety notes may refer to individual instructions. In this case, safety notes will be included in the instructions and hence facilitate following the instructions. The above listed signal words will be used.

Example:

1. ▶ Loosen the screw.



2. ▶  **CAUTION!**  
**Danger of finger entrapment when closing the lid.**

Be careful when closing the lid.

3. ▶ Tighten the screw.

## Specific safety notes

The following symbols are used in safety notes to alert you to specific hazards:

Warning signs	Type of danger
	Warning – high-voltage.
	Warning – danger zone.

<b>1</b>	<b>Safety</b> .....	<b>6</b>	<b>7</b>	<b>Maintenance</b> .....	<b>20</b>
	1.1 Correct use .....	6		7.1 System owner's responsibility .....	20
	1.2 Safety signs .....	6		7.2 Maintenance .....	20
	1.3 Dangers when handling the unit .....	6		7.3 Inspection measures .....	20
	1.3.1 Electric shock hazards .....	7		7.4 Repair .....	20
	1.4 System owner's responsibility .....	7		7.5 Maintenance service .....	20
	1.5 Qualified staff .....	8	<b>8</b>	<b>Faults</b> .....	<b>21</b>
	1.6 Personal protective equipment .....	8		8.1 Troubleshooting .....	21
	1.7 Repair and replacement parts .....	8	<b>9</b>	<b>Decommissioning</b> .....	<b>22</b>
	1.8 General safety measures .....	8		9.1 Safety .....	22
<b>2</b>	<b>Transport, storage and packaging</b> .....	<b>9</b>		9.2 Disassembly .....	22
	2.1 Delivery check .....	9		9.3 Disposal .....	22
	2.2 Transport on site .....	9	<b>10</b>	<b>Technical data</b> .....	<b>23</b>
	2.3 Storage .....	9		10.1 General data .....	23
	2.4 Packaging .....	9		10.2 Measuring transducer / attachments .....	23
<b>3</b>	<b>Product description</b> .....	<b>10</b>	<b>11</b>	<b>Index</b> .....	<b>24</b>
	3.1 Product overview .....	10			
	3.2 Functional description .....	10			
	3.3 Labelling on unit .....	10			
	3.3.1 Rating plate .....	10			
	3.3.2 Adjustment sticker .....	10			
	3.3.3 CE marking / declaration of incorporation .....	10			
<b>4</b>	<b>Installation</b> .....	<b>12</b>			
	4.1 Safety .....	12			
	4.2 General installation information .....	12			
	4.2.1 Installation of sound attenuators, fire dampers and heat exchangers .....	12			
	4.2.2 Installation orientation .....	13			
	4.2.3 Airflow direction .....	13			
	4.2.4 Upstream conditions .....	14			
	4.3 Fixing/suspension .....	15			
	4.4 Installation of the circular silencer .....	15			
	4.5 Connecting the air duct .....	15			
<b>5</b>	<b>Electrical connection</b> .....	<b>17</b>			
	5.1 Safety notes .....	17			
	5.2 Installation instructions .....	17			
<b>6</b>	<b>Commissioning and operation</b> .....	<b>18</b>			
	6.1 Factory preparation .....	18			
	6.2 Requirement for commissioning .....	18			
	6.3 Commissioning .....	18			
	6.3.1 Installation and connection .....	18			
	6.3.2 Parameterisation by others and settings .....	18			
	6.3.3 Functional test .....	18			
	6.4 Operation .....	19			
	6.5 Volume flow rate measurement .....	19			
	6.5.1 Volume flow rate calculation .....	19			
	6.5.2 C values .....	19			

## 1 Safety

### 1.1 Correct use

Type VMR volume flow rate measuring units are used to measure the volume flow rate in ventilation systems within closed rooms.

If the air is contaminated with dust, lint, moisture or sticky components, only volume flow rate measuring units that use an attachment with a static differential pressure transducer may be used.

Type VMR volume flow rate measuring units can also be used in ventilation systems with chemical contamination (e.g. point extraction or extract air from laboratory fume cupboards). The material design of the measuring units must meet the requirements of the air pollution. Depending on the composition and concentration of the polluted air, the measuring unit can be chosen from galvanised steel (standard construction), powder coating (P1) or stainless steel (A2). For this application, only measuring transducers with static differential pressure transducers may be used. We recommend a measuring transducer with a static differential pressure transducer with room air induction.

In kitchen extract air systems, the volume flow rate measuring unit may only be used if it is ensured that the extract air is cleaned by highly effective aerosol separators (>90%); observe VDI 2052.

In addition, shortened inspection and cleaning intervals must be included in the maintenance schedule.

### Incorrect use

#### WARNING!

##### **Danger of injury or risk of damage to property due to incorrect use!**

Incorrect use of the volume flow rate measuring unit can lead to dangerous situations.

Never use the volume flow rate measuring unit:

- in areas with potentially explosive atmospheres (EX)
- in aircraft
- outdoors without sufficient protection against the effects of weather
- In wet areas
- for areas of application that are not described in this manual

Modifying the unit or using replacement parts that have not been approved by TROX is not permitted.

### 1.2 Safety signs

The following symbols and signs are usually found in the work area. They apply to the very location where they are found.

#### WARNING!

##### **Danger due to illegible signage!**

Over time, stickers and signs may fade or become otherwise illegible, meaning that hazards cannot be identified and necessary operating instructions cannot be followed. There is then a risk of injury.

- Ensure that all of the safety, warning and operating information is clearly legible.
- Replace illegible signs or stickers immediately.

### Electrical voltage



Only skilled qualified electricians are allowed to work in areas marked as having electrical voltage.

Unauthorised people must not enter areas, open cabinets or work on components where an electrical voltage is present and which are hence marked with this symbol.

### 1.3 Dangers when handling the unit

The unit is a state-of-the-art product and meets current safety requirements. Residual risks cannot be excluded, however, and you should proceed with caution. This section describes the residual risks that have been identified in a risk assessment.

Always follow the safety notes in this manual to reduce health hazards and prevent any hazardous situations.

### 1.3.1 Electric shock hazards

#### Electric current

 **DANGER!**

**Danger of death due to electric current!**

Contact with live parts poses an immediate danger to life due to electric shock. Damaged insulation or damaged parts are a life threatening hazard.

- Work on the electrical system must only be carried out by skilled qualified electricians.
- If the insulation is damaged, disconnect the power supply immediately and have the insulation repaired.
- Before you start working on electric systems and equipment, switch off the supply voltage and secure it against being switched on accidentally. Comply with the following safety rules:
  - Switch off the supply voltage.
  - Secure it against being switched on accidentally.
  - Ensure that no voltage is present.
  - Connect to the earth; short circuit connection.
- Do not bypass or disable any circuit breakers. Be sure to maintain the correct current rating when you replace a circuit breaker.
- Ensure that live parts do not come into contact with moisture. Moisture can cause a short circuit.

In particular:

- The system owner must be aware of the applicable occupational health and safety regulations and carry out a risk assessment to determine any additional hazards that may exist or result from the specific working conditions at the installation location. The system owner has to create operating instructions for the unit that reflect the results of this risk assessment.
- The system owner has to ensure, throughout the entire operating period of the unit, that these operating instructions conform to applicable standards and guidelines; in case of any deviation, the system owner has to adapt the instructions.
- The system owner must secure the unit to prevent access by unauthorised individuals.
- The system owner must clearly define the responsibilities for operation, maintenance, cleaning, troubleshooting and removal.
- The system owner has to ensure that all individuals who handle or use the unit have read and understood this manual.
- The system owner must provide the employees with the required personal protective equipment.
- The system owner must comply with the local fire regulations.

#### Hygiene requirements

The system owner has to comply with the local regulations and harmonised standards for hygiene requirements. These include, among other things, compliance with the corresponding maintenance and test intervals.

## 1.4 System owner's responsibility

#### System owner

The system owner is a natural or legal person who for commercial or business purposes owns or manages the ventilation system or component or allows third parties to use or operate it, but continues to bear legal responsibility for the safety of users, staff or third parties while the product is in use.

#### System owner's obligations

The unit is intended for commercial use. The system owner is therefore subject to the legal obligations of occupational health and safety regulations.

In addition to the safety notes in this manual, the applicable regulations for safety, accident prevention and environmental protection must also be complied with.

## 1.5 Qualified staff

**⚠ WARNING!**

**Danger of injury due to insufficiently qualified individuals!**

Incorrect use may cause considerable injury or damage to property.

- Only specialist personnel must carry out work.

The following degrees of qualification are required for the work described in the operating manual:

### HVAC technician

HVAC technicians are individuals who have sufficient professional or technical training in the field they are working in to enable them to carry out their assigned duties at the level of responsibility allocated to them and in compliance with the relevant guidelines, safety regulations and instructions. HVAC technicians are individuals who have in-depth knowledge and skills related to HVAC systems; they are also responsible for the professional completion of the work under consideration.

HVAC technicians are individuals who have sufficient professional or technical training, knowledge and actual experience to enable them to work on HVAC systems, understand any potential hazards related to the work under consideration, and recognise and avoid any risks involved.

### Skilled qualified electrician

Skilled qualified electricians are individuals who have sufficient professional or technical training, knowledge and actual experience to enable them to work on electrical systems, understand any potential hazards related to the work under consideration, and recognise and avoid any risks involved.

## 1.6 Personal protective equipment

Personal protective equipment is equipment that protects the user against health or safety risks at work.

Personal protective equipment must be worn for various types of work; the protective equipment required is listed in this manual together with the description of each type of work.

### Description of personal protective equipment

#### Industrial safety helmet



Industrial safety helmets protect the head from falling objects, suspended loads, and the effects of striking the head against stationary objects.

### Protective gloves



Protective gloves protect hands from friction, abrasions, punctures, deep cuts, and direct contact with hot surfaces.

### Safety shoes



Safety shoes protect the feet from crushing, falling parts and prevent slipping on a slippery floor.

## 1.7 Repair and replacement parts

The devices must be repaired by qualified personnel using genuine replacement parts only. This particularly applies to work on the electrical equipment. For safety reasons, defective devices should therefore be repaired by the TROX Technical Service, ☎ 'TROX Technical Support' on page 3.

## 1.8 General safety measures

### Large temperature differences

Be careful when there is a large temperature difference. If the unit has been kept in an unheated area, wait two hours before switching on the supply voltage. Condensation may damage the electronic components beyond repair. Only after about 2 hours will the system have reached room temperature.

### Foreign matter and liquids

Be careful when objects or liquids have got into the casing, or if the unit emits a smell or smoke. Decommission the unit and have it checked by the manufacturer.



## 2 Transport, storage and packaging

### Safety notes on handling the unit

 **CAUTION!**

**Danger of injury from sharp edges and sheet metal parts.**

- Always wear protective gloves when handling the unit.

 **NOTICE!**

**Risk of damage to the unit!**

- Handle the unit with care.
- Never lift the unit by the measuring transducer or the differential pressure sensor.
- Lift the unit only by lifting the entire casing.

### 2.1 Delivery check

Check delivered items immediately after arrival for transport damage and completeness. In the case of any damage or an incomplete shipment, contact the shipping company and your supplier immediately.

### 2.2 Transport on site

- If possible, take the product in its transport packaging up to the installation location.
- Do not remove the protective wrapping until just before installation.

### 2.3 Storage

If the product has to be stored temporarily:

- Moisture and lack of ventilation can lead to oxidation, even on galvanised components. Remove any plastic wrapping in order to avoid oxidation.
- Protect the product from dust and contamination.
- Store the product in a dry place and away from direct sunlight.
- Do not store the product below -10 °C or above +50 °C.

### 2.4 Packaging

Properly dispose of packaging material.

## 3 Product description

### 3.1 Product overview



Fig. 1: VMR product overview

- 1 Sensor tubes for measuring differential pressure
- 2 Measuring transducer (differential pressure transducer)
- 3 Casing
- 4 Hoses

### 3.2 Functional description

The volume flow rate measuring unit is fitted with a VMR differential pressure sensor for measuring the volume flow rate. The differential pressure recorded with this sensor is either measured and evaluated manually, or transformed into an electrical signal by a measuring transducer (differential pressure transducer).

### 3.3 Labelling on unit

#### 3.3.1 Rating plate

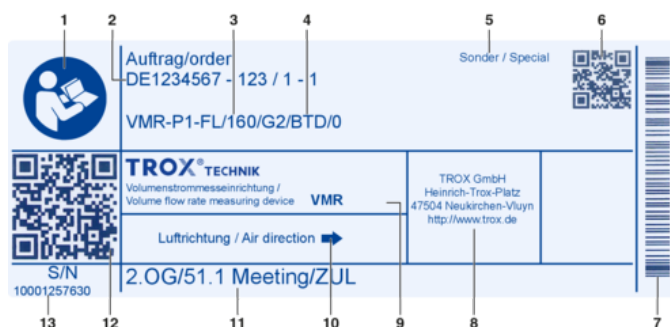


Fig. 2: Type plate (example)

- 1 Note on observing the operating instructions
- 2 Order data commission number – item number; if necessary, serial number if there are several pieces in the item
- 3 Order code
- 4 Order code detail of the measuring transducer
- 5 Information on units that deviate from the standard

- 6 QR code containing the customer text below in machine-readable form
- 7 Barcode with the serial number (for manufacturing processes at TROX)
- 8 Manufacturer's address
- 9 Product and type
- 10 Arrow indicating the airflow direction ↗ Chapter 4.2 'General installation information' on page 12
- 11 Customer text for installation/use (tagging text from the order)
- 12 QR code with link in myTroX to individual product documentation matching the serial number
- 13 Serial number of the complete product including the installed attachment

#### 3.3.2 Adjustment sticker

The adjustment sticker documents the factory setting and the test steps stored for these variants. Type and variant information only includes the order code details required for this process.

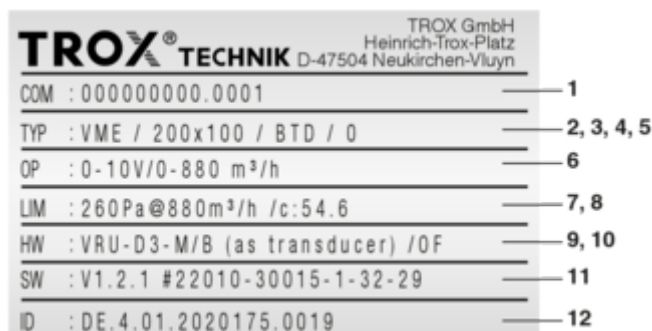


Fig. 3: Adjustment sticker example type VME with differential pressure transducer BTD

- 1 Commission number. Item number
- 2 Measuring unit type
- 3 nominal size
- 4 Order code detail of differential pressure transducer
- 5 Order code detail characteristic  
0: 0 – 10 V  
2: 2 – 10 V
- 6 Operating range related to volume flow rate range
- 7 Differential pressure with nominal flow rate  $q_{Vnom}$
- 8 C value
- 9 Hardware type designation
- 10 Differential pressure transducer:  
OF ⇒ equipped at the factory  
SP ⇒ replacement part
- 11 Software version and serial number
- 12 Test ID number

#### 3.3.3 CE marking / declaration of incorporation

There are currently no harmonised standards (EC directive) available or applicable for the volume flow rate measuring unit VMR. Consequently, it is not possible to apply a CE mark or issue an EC declaration of conformity for legal reasons. See REGULATION (EC) No. 765/2008 Article 30 "General principles of the CE marking".

The marking as presented in Appendix II shall be affixed only to products to which its affixing is provided for by specific Community harmonisation legislation, and shall not be affixed to any other product.

## 4 Installation

### 4.1 Safety

**Personnel:**

- HVAC technician

**Protective equipment:**

- Protective gloves
- Safety shoes
- Industrial safety helmet

Only specialist personnel are allowed to perform the described work on the volume flow rate measuring unit.

Only skilled qualified electricians are allowed to work on the electrical system.



**Danger of injury from sharp edges and sheet metal parts.**

- Always wear protective gloves when handling the unit.



**Risk of damage to the unit!**

- Handle the unit with care.
- Never lift the unit by the measuring transducer or the differential pressure sensor.
- Lift the unit only by lifting the entire casing.

### 4.2.1 Installation of sound attenuators, fire dampers and heat exchangers

If additional components are arranged upstream of a measuring unit in the airflow direction, the clearances specified in the table must be observed. Shorter distances lead to measurement inaccuracies on the measuring unit. The components can be arranged directly behind the measuring unit.

**Distances to other components**

Component	Clearance in airflow direction in front of VMR
Circular silencer without core CA, CAH, CF	No clearance
Circular silencer with core CK	7 x splitter width <sup>1)</sup>
Fire damper	At least 3D
Heat exchanger	Behind measuring unit only

<sup>1)</sup> Depending on the size of the sound attenuator: splitter width 50, 100 or 150 mm

### 4.2 General installation information

- **ATTENTION:** Pay attention to the arrow indicating the correct airflow direction on the unit!  
↳ 3.3 'Labelling on unit' on page 10
- Select the installation location such that the volume flow rate measuring unit, inspection accesses and the measuring transducer remain accessible for the following work:
  - Wiring
  - Adjustment work (service socket if necessary)
  - Inspection and maintenance, e.g. for replacing the measuring transducer

For information on space requirements, see product data sheets.

- Installation in kitchen extract air systems may only take place downstream of aerosol separators (>90 %); observe VDI 2052.

### 4.2.2 Installation orientation

For measuring units with diaphragm pressure transducers, the installation orientation of the differential pressure transducer (EASYLAB) must be taken into account. The actual installation orientation must be compared with the variants on the sticker. If necessary, the position of the membrane pressure transducer must be adjusted, ( Fig. 4 ).

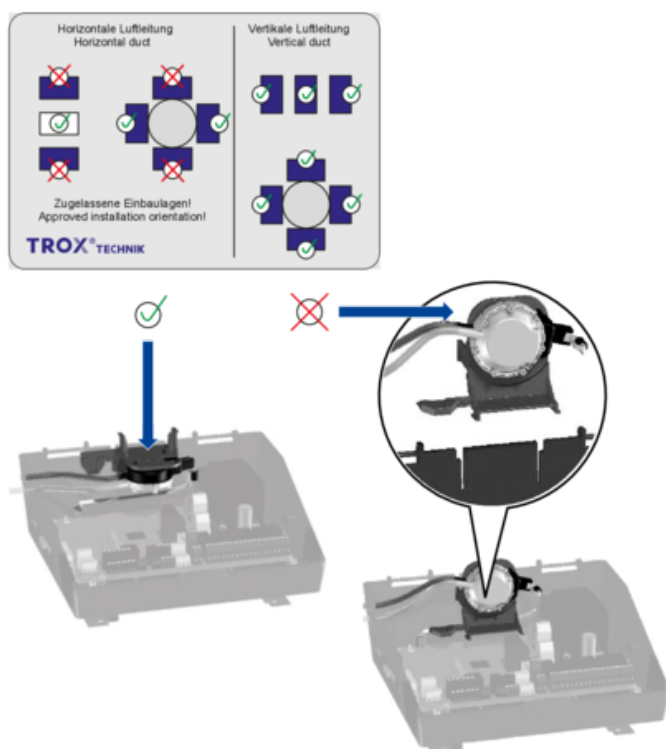


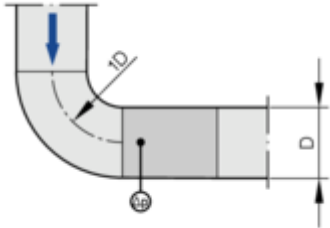
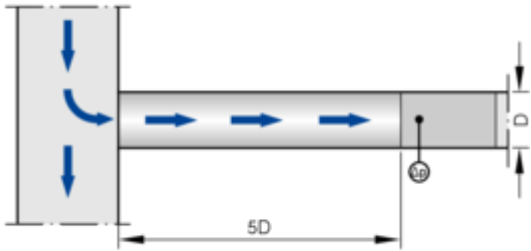
Fig. 4: Sticker showing installation orientations

- ✓ The installation orientation of the control component matches the factory installation position of the diaphragm pressure transducer
- ✗ For the installation orientation of the control component, the position of the membrane pressure transducer must be adjusted according to the figure.

### 4.2.3 Airflow direction

It is imperative that volume flow rate measuring units are installed in their intended airflow direction. An arrow indicating the correct airflow ↻ *Chapter 3.3.1 'Rating plate' on page 10* is attached to the unit for this purpose.

## 4.2.4 Upstream conditions

Bend	Junction from a main duct
	
<p>A bend with a curvature radius of at least <math>1D</math> – without an additional straight duct section upstream of the unit – has only a negligible effect on the volume flow rate accuracy <math>\Delta q_v</math>.</p>	<p>A junction from main duct causes strong turbulence. The stated volume flow rate accuracy <math>\Delta q_v</math> can only be achieved with a straight duct section of at least <math>5D</math> upstream.</p>

### 4.2.4.1 Inflow via an open duct (extract air mode)

When flow enters the open end of a duct, the following conditions must be observed with regard to the positioning of the volume flow rate measuring unit in order to obtain a laminar flow and thus sufficient measuring accuracy.

#### Inflow via an open duct

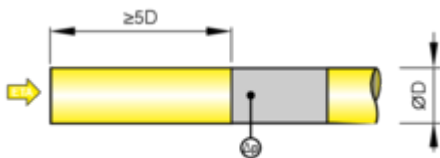


Fig. 5: Upstream conditions at open duct end

The inflow at the open end of a duct causes strong turbulence.

The stated volume flow rate accuracy can only be achieved with the following upstream straight duct sections:

- At least  $5D$

### Inflow via inflow aid

Alternatively, an inflow aid must be installed at the open duct end upstream of the volume flow rate measuring unit:

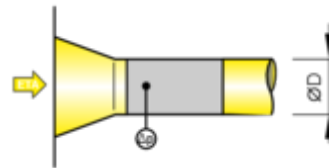


Fig. 6: Upstream conditions with inflow aid

The stated volume flow rate accuracy is achieved when an inflow aid is connected directly to the volume flow rate measuring unit.

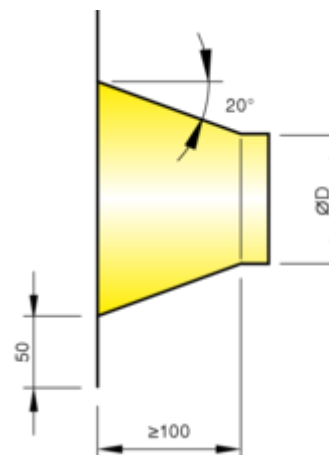


Fig. 7: Dimensions of inflow aid [mm]

### 4.3 Fixing/suspension

#### General installation information

- When designing and constructing ventilation and air conditioning systems, take into account the requirements of VDI 6022, in particular:
  - Hygienic, clean installation of all components and their air distribution surfaces.
  - Planning inspection/cleaning openings in the ducting system.
  - Avoidance of leaks.
- Affix the unit proficiently and only to load-bearing components.
- Load suspension systems only with the weight of the unit. Adjacent components and connecting ducts must be supported separately.
- Only use approved and sufficiently dimensioned suspensions for fixing. Secure screw connections against self-loosening, e.g., by locking them. Fixing material is not included in the supply package.
- Only use the shortest possible drilling screws for fixing into place; these screws must not be screwed into the area of the differential pressure sensor.



Fig. 8: Installation example using a VAV terminal unit TVR-\*

- 1 VAV terminal unit, round, e.g. TVR
- 2 Air direction arrow e.g., on the scale sticker
- 3 Drilling screw for fixing to the ducting
- 4 Pipe clamp
- 5 Suspension, e.g., with threaded rod

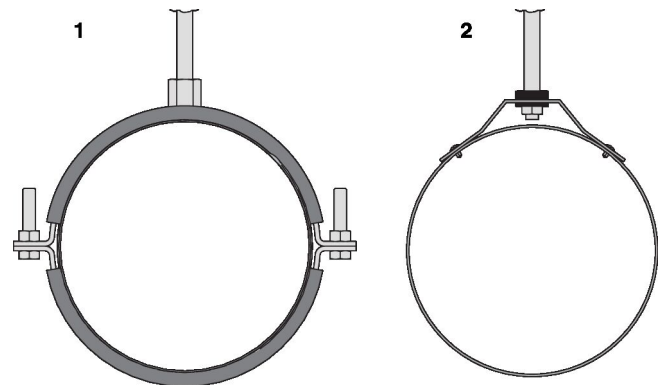


Fig. 9: Examples of fixings for circular units

- 1 Fixing to pipe clamps
- 2 Fixing to suspension element

### 4.4 Installation of the circular silencer

Circular silencers are supplied separately and must be installed at the installation location between the measuring unit and the room. Detach the sound attenuator separately, see Installation manual for circular silencers.

### 4.5 Connecting the air duct

When connecting the ducting, the customer must ensure that the connection points are installed as airtight as possible in order to avoid negative influences from leakages such as air volume deviations, power consumption, etc. Unless otherwise stated, the connecting material is not included in the supply package.

Before connecting the ducting:

- Check the inside of the unit for damage and loose parts.
- Remove any contamination from the ducting.

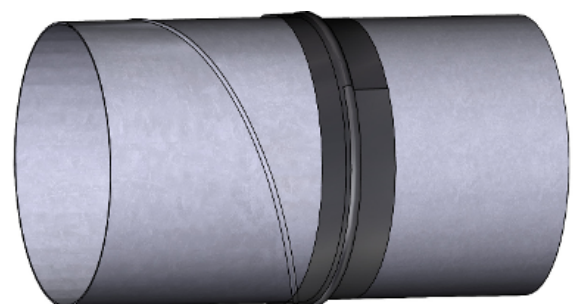
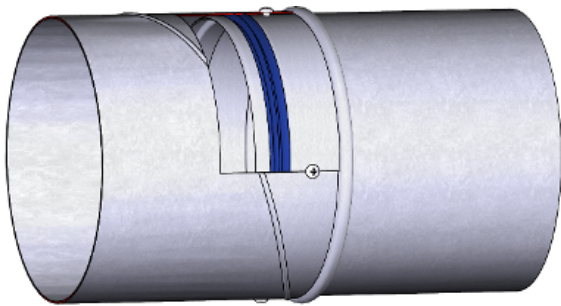


Fig. 10: Spigot without lip seal

- Plug-in mounting on ducting in accordance with EN 1506 or EN 13180.
- Fixing and sealing with ventilation strip, e.g., KLP180.

When using heat-shrinkable tape, carefully heat up the plastic parts near the spigot.

## Connecting the air duct



*Fig. 11: Spigot with optional lip seal*

- Plug-in mounting on ducting in accordance with EN 1506 or EN 13180.
- Connect the spigot with the ducting, e.g., using drilling screws.
- No further sealing required.
- Matching flanges available as accessories
- Seal and screw connection M8 (to be provided by others)
- Dimensions and number of holes in accordance with EN 12220.
- Position the ducting exactly. Do not pull the distances together via the flange connection.



## 5 Electrical connection

### 5.1 Safety notes

#### DANGER!

Danger of electric shock! Do not touch any live components. Electrical equipment carries a dangerous electrical voltage.

- Only skilled qualified electricians are allowed to work on the electrical system.
- Before working on the electrical system, switch off the supply voltage and secure it against being switched on again.

### 5.2 Installation instructions

The volume flow measuring unit was manufactured and configured on a project-specific basis. For units with electrical differential pressure transducers, the supply voltage must be connected, and, if necessary, also signal or bus lines must be connected.

The connection is made in accordance with the information on the differential pressure transducer or connection diagrams in the product data sheet or commissioning instructions for the respective differential pressure transducer, [www.troxtechnik.com](http://www.troxtechnik.com). The voltage ranges and the terminal connections specified on the differential pressure transducer must be observed!

#### Personnel:

- Skilled qualified electrician

Observe the following during installation:

- Legal and official regulations, in particular VDE guidelines.
- Observe the technical connection rules (TCR) of the local grid operator.
- Wiring work for supply voltage and signal lines on site.
- The rating and manufacturing of customer-side connections and wiring must be carried out in accordance with the recognised rules of electrical engineering.
- The responsibility for design, dimensioning and sizing of the electrical and network installations as well as their execution by others lies with the specialist consultant, HVAC contractor and commissioning engineer appointed by the system owner. This includes, in particular, the dimensioning of the power supplies as well as cable types and cross sections.
- For network installations, the specification of the respective network variant must be observed. For information, see here:

- BACnet MS/TP or BACnet/IP ⇒ [BACnet.org](http://BACnet.org)
- Modbus RTU or Modbus TCP ⇒ [Modbus.org](http://Modbus.org)
- MP-Bus technology - project planning information ⇒ [www.belimo.com](http://www.belimo.com)
- Observe wiring guidelines and project-specific circuit diagrams.
- The electrical connection may only be made after complete installation of the unit.
- For units with a 24 V supply voltage, observe the following:
  - Electrical connection only with safety transformer
  - Make sure that all connected units have the same GND reference point for the supply voltage.
- Suitable wire clamping brackets must be provided for all connecting cables.
- Electronic components contain no parts that can be replaced or repaired by the user and may only be opened by the manufacturer!

## 6 Commissioning and operation

### 6.1 Factory preparation

TROX volume flow measuring units (in the version with electrical differential pressure transducer) are prepared, adjusted and tested at the factory. The assigned operating parameters are set and the volume flow measuring unit is tested with regard to air distribution technology.

The factory adjustment is documented on the silver adjustment sticker, ↪ *Chapter 3.3.2 'Adjustment sticker' on page 10*.

### 6.2 Requirement for commissioning

Contamination, e.g. construction dust, can impair the functionality of the measuring unit and cause irreparable damage to units that use a dynamic differential pressure transducer.

Therefore, the ventilation and air conditioning system and its components may not be put into operation for the first time until the rooms connected to the ventilation system have been cleaned of any contamination resulting from construction work. Contamination of the ventilation system by construction dust and sucked-in dirt particles must be eliminated. In the case of systems that are heavily contaminated due to construction activities, the system may need to be cleaned before commissioning.

### 6.3 Commissioning

#### **Code of good practice for commissioning**

*Commissioning is governed by the standard "DIN EN 12599 Testing and measuring procedures for the transfer of installed ventilation and air conditioning systems", and, if applicable, contractually agreed services between HVAC contractors, system owners and installation engineers. The standard describes the essential commissioning steps of the completeness check, function check, function measurement as well as report generation and handover.*

#### 6.3.1 Installation and connection

Once the electrical connections have been correctly installed and made, the volume flow rate measuring unit is ready for operation.

#### 6.3.2 Parameterisation by others and settings

##### Subsequent adjustment of settings

Subsequent adjustments to the settings, e.g. the characteristic of the output signal, may require manufacturer-specific adjustment devices or PC software, depending on the differential pressure transducer used.

##### Network integration

Bus-compatible measuring transducers (differential pressure transducers) may require integration into the building's network infrastructure to be performed by others (network commissioning, e.g. setting the subscriber address and communication parameters). Manufacturer-specific tools such as adjustment devices or software packages and associated interface adapters may be required for this.

##### Special constructions

Volume flow rate measuring units with non-standardised measuring transducers (differential pressure transducers), e.g. special versions, may require parameterisation or network integration to be performed by others. Manufacturer-specific tools such as adjustment devices or software packages and associated interface adapters may be required for this.

#### 6.3.3 Functional test

Prerequisites for the functional test

- Volume flow measuring unit has been correctly installed in the ducting system:
  - Airflow direction, according to airflow direction arrows ↪ *Chapter 3.3.1 'Rating plate' on page 10*
  - Upstream conditions correct, ↪ *Chapter 4.2 'General installation information' on page 12*
  - Correct installation orientation, ↪ *Chapter 4.2 'General installation information' on page 12*
- Ventilation and air conditioning system is in operation (fans running).

- Air circulation is guaranteed (shut-off dampers and fire dampers are open).
  - The supply voltage is switched on.
1. ▶ Check the actual value signal of the volume flow rate for plausibility. If the values are implausible, carry out a parallel volume flow rate measurement on the measuring unit, see *Chapter 6.5 'Volume flow rate measurement' on page 19*
  2. ▶ Further functional tests on the volume flow rate measuring unit can only be carried out with knowledge of the installed measuring transducers (effective pressure transducers).

Information on this can be found in the documentation of the TROX measuring transducer or in the product information of the measuring transducer manufacturer.

## 6.4 Operation

Once commissioning has been completed, the volume flow rate measuring unit will operate in a self-powered manner and require no intervention from the system owner.

Depending on the area of application of the volume flow rate measuring unit, test specifications and intervals may have to be observed; for example, when used on fume cupboards, an annual functional test must be carried out and documented.

In case of a malfunction, decommission the volume flow rate measuring unit and have it repaired before commissioning it again.

## 6.5 Volume flow rate measurement

For testing the volume flow rate or differential pressure-transducer, the differential pressure  $\Delta p_w$  (differential pressure) can be measured directly at the differential pressure sensor of the measuring unit by means of a pressure gauge.

The connection for the pressure gauge must be selected depending on the attachment and transducer type:

- Dynamic - Pressure measurement only directly at the differential pressure sensor of the measuring unit (parallel measurement can falsify the result).
- Static - Parallel measurement to the hose-connected transducer is permitted.  
The tapping can be done on T-pieces that are factory-installed in the measuring hoses.

### Alternative measurement point

Differential pressure measurement directly in the ducting as an alternative to the differential pressure sensor of the measuring unit requires a high degree of expertise and experience.

For sufficiently reliable differential pressure measurement results, a complex network measurement (gravity line method) and a final error propagation calculation in accordance with EN 12599 must be adhered to for the purposes of objective comparability.

**Note:** Comparative measurements without taking the above-mentioned framework conditions into account are not helpful. Such measurements are inaccurate and cannot be used for complaints.

### 6.5.1 Volume flow rate calculation

The volume flow rate is calculated according to the following formula:

$$q_v = C \times \sqrt{\Delta p_w} \quad [l/s]$$

$$q_v = C \times \sqrt{\Delta p_w} \times 3,6 \quad [m^3/h]$$

Fig. 12: Calculation of the volume flow rate

- $q_v$  Volume flow rate
- $\Delta p_w$  Measured effective pressure in Pascal [Pa]
- C Unit constant for air density  $\rho = 1.2 \text{ kg/m}^3$

It should be noted that the volume flow rate determined depends on the current flow conditions in the ducting and that the measurement only corresponds to an instantaneous value without any averaging.

### 6.5.2 C values

Type	ØD [mm]	C value <sup>1)</sup>
VMR	100	6.10
VMR	125	9.97
VMR	140	12.40
VMR	160	16.00
VMR	200	26.06
VMR	250	39.50
VMR	315	65.60
VMR	400	108.18

<sup>1)</sup> C value in relation to l/s, (for air density  $1.2 \text{ kg/m}^3$  at  $20 \text{ °C}$ )

## 7 Maintenance

### 7.1 System owner's responsibility

#### WARNING!

**Only authorised specialist personnel are allowed to perform the described maintenance measures.**

The system owner is responsible for maintenance. The system owner is responsible for creating a maintenance plan, for defining the maintenance goals, and for the functional reliability of the equipment.

The legal regulations must be observed during maintenance, e.g. the system owner is responsible for hygienic operation in accordance with VDI 6022.

### 7.2 Maintenance

The volume flow rate measuring unit and the measuring transducer (differential pressure transducer) are maintenance-free in terms of wear, but the measuring unit must be included in the regular cleaning of the ventilation system. Regular care and maintenance ensure operational readiness, functional reliability, and long service life of the volume flow rate measuring unit.

### 7.3 Inspection measures

#### DANGER!

Danger of electric shock! Do not touch any live components. Electrical equipment carries a dangerous electrical voltage.

- Only skilled qualified electricians are allowed to work on the electrical system.
- Before working on the electrical system, switch off the supply voltage and secure it against being switched on again.

#### Personnel:

- Skilled qualified electrician

#### Protective equipment:

- Safety shoes

1. ▶ Remove any contamination that affects the function of the measuring unit, especially around sensor tubes.
2. ▶ Check all screws for firm seating and retighten them, if necessary.
3. ▶ Check electrical feeder cables for damage and firm seating in the terminals.
4. ▶ Test the functions of the closed circuits (including volume flow rate) and, if necessary, correct the set operating parameters.
5. ▶ Check if the measured values are plausible.

6. ▶ Document maintenance measures and measurement results.

### 7.4 Repair

Repair work is only allowed to be carried out by specialist personnel or by the manufacturer. Only genuine replacement parts must be used.

### 7.5 Maintenance service

Regular maintenance by the TROX Technical Service is recommended in order to ensure operational readiness, functional reliability, and long service life of the unit.

The TROX Technical Service can establish the actual condition of the unit, adapt or correct it if necessary, and ensure that the unit is in proper condition after maintenance.

Necessary adjustments and parameter setting can be conducted as part of maintenance so that a high level of safety is always maintained.

## 8 Faults

### 8.1 Troubleshooting

To troubleshoot the problem, check and log the following points. Take appropriate action if necessary.

<b>System/area:</b>	
<b>TROX volume flow rate measuring unit type (see adjustment sticker):</b>	
<b>Measuring transducer (differential pressure transducer, see adjustment sticker):</b>	
<b>Operating mode (see adjustment sticker):</b>	
<b>Complete order code (see rating plate):</b>	

Description	Yes	No	not applicable
<b>Installation situation</b>			
<ul style="list-style-type: none"> <li>■ Is there sufficient accessibility to the volume flow rate measuring unit and the measuring transducer (differential pressure transducer)?</li> </ul>	<input type="checkbox"/>	<input type="checkbox"/>	<input type="checkbox"/>
<ul style="list-style-type: none"> <li>■ Specified airflow direction maintained? ↳ Chapter 4.2 'General installation information' on page 12</li> </ul>	<input type="checkbox"/>	<input type="checkbox"/>	<input type="checkbox"/>
<ul style="list-style-type: none"> <li>■ Required upstream section maintained? ↳ Chapter 4.2 'General installation information' on page 12</li> </ul>	<input type="checkbox"/>	<input type="checkbox"/>	<input type="checkbox"/>
<ul style="list-style-type: none"> <li>■ Are the specified distances to other ventilation components, such as sound attenuators, fire dampers and heat exchangers, observed? ↳ Chapter 4.2 'General installation information' on page 12</li> </ul>	<input type="checkbox"/>	<input type="checkbox"/>	<input type="checkbox"/>
<ul style="list-style-type: none"> <li>■ Differential pressure measuring hoses undamaged and kink-free?</li> </ul>	<input type="checkbox"/>	<input type="checkbox"/>	<input type="checkbox"/>
<b>System readiness</b>			
<ul style="list-style-type: none"> <li>■ Fan switched on?</li> </ul>	<input type="checkbox"/>	<input type="checkbox"/>	<input type="checkbox"/>
<ul style="list-style-type: none"> <li>■ Fire dampers/shut-off devices opened in the duct section?</li> </ul>	<input type="checkbox"/>	<input type="checkbox"/>	<input type="checkbox"/>
<b>Check the measuring transducer (differential pressure transducer) (for additional details, see the measuring transducer commissioning instructions)</b>			
<ul style="list-style-type: none"> <li>■ Error-free wiring and supply voltage within tolerance zone?</li> </ul>	<input type="checkbox"/>	<input type="checkbox"/>	<input type="checkbox"/>

## 9 Decommissioning

If the unit is no longer used, it has to be removed and disposed of in an environmentally friendly manner.

### 9.1 Safety

#### Personnel

- Disassembly must only be carried out by specialist personnel.
- Only skilled qualified electricians must work on the electrical system.

#### Electrical system

#### DANGER!

##### **Danger of death due to electric current!**

Danger of electric shock! Do not touch any live components! Live electrical components may suddenly move uncontrollably and seriously injure people.

Therefore:

- Switch off the power supply and disconnect the product permanently before you begin to disassemble it.

#### WARNING!

##### **Risk of injury due to incorrect disassembly**

Stored residual energy, pointed parts and parts with sharp edges or corners on the unit or on tools can cause injuries. Therefore:

Therefore:

- Before you start, make sure that there is sufficient clearance for the work you have to complete.
- Be careful when you touch parts that have sharp edges or corners.
- Disassemble components professionally. Be aware that some components are very heavy. Use lifting gear if necessary.
- Secure components to prevent them from falling or toppling.
- When in doubt, contact the manufacturer.

### 9.2 Disassembly

Before you start disassembly:

- Switch off the unit and secure it against being switched on accidentally.
- Physically disconnect the unit from the power supply and discharge any residual energy.
- Remove and dispose of any operating fluids, auxiliary materials and leftover processing materials in an environmentally sound manner.

Then professionally clean subassemblies and components and disassemble them in compliance with local occupational safety and environmental protection regulations.

### 9.3 Disposal

If no take back (disposal) agreement is in place, the various parts should be recycled:

- Scrap the metals.
- Take plastic parts to be recycled.
- Dispose of other components in a suitable manner, i.e. depending on their material properties.

#### ENVIRONMENT!

##### **Risk of harm to the environment due to improper disposal!**

Electronic waste, electronic components, lubricating and other auxiliary materials are hazardous waste and must be disposed of by a specialist company.

If you are not sure how to dispose of anything in an environmentally friendly manner, contact your local authorities or a specialist disposal company.

## 10 Technical data

### 10.1 General data

Nominal sizes	100 – 400 mm
Volume flow rate range (nominal range)	34 – 6279 m <sup>3</sup> /h or 10 – 1744 l/s
Maximum differential pressure	1000 Pa
Differential pressure range when using optional attachments:	
<ul style="list-style-type: none"> <li>■ Dynamic measurement principle</li> <li>■ Static measurement principle</li> </ul>	2 Pa – 260 Pa @nominal flow rate 5 Pa – 260 Pa @nominal flow rate
Measurement accuracy	5 – 16 %
Operating temperature	10 – 50 °C

### 10.2 Measuring transducer / attachments

The following measuring transducers (differential pressure transducers) are available for the measuring unit VMR:

Code	Variable	Differential pressure transducer	Measurement principle
BTD	q <sub>v</sub>	VRU-D3-M/B	Dynamic
BTS	q <sub>v</sub>	VRU-M1-M/B	Static
XTD	q <sub>v</sub>	GT-VM-DD3	Dynamic
XTS	q <sub>v</sub>	GT-VM-DS3	Static
ELAB	q <sub>v</sub>	EASYPAB TCU3	Static

q<sub>v</sub> volume flow rate

## 11 Index

<b>A</b>			
Adjustment.....	10		
Airflow direction.....	10 , 13		
Application.....	6		
Area of application.....	6		
Attachments.....	23		
<b>C</b>			
CE marking.....	10		
Characteristic.....	10		
Checking delivered goods for completeness.....	9		
Circular silencer.....	15		
Circular silencers.....	12 , 15		
Commissioning.....	18		
Connecting the air duct.....	15		
Correct use.....	6		
C values.....	19		
<b>D</b>			
Dangers.....	6		
Declaration of Conformity.....	10		
Declaration of incorporation.....	10		
Decommissioning.....	22		
Differential pressure range.....	10 , 23		
Disassembly.....	22		
Disposal.....	22		
Duct connection.....	15		
<b>E</b>			
Effective pressure transducer.....	10		
Electrical connection			
Installation instructions.....	17		
Electric current.....	7		
<b>F</b>			
Faults.....	21		
Fire dampers.....	12		
Fixing.....	15		
Functional description.....	10		
Functional test.....	18		
<b>H</b>			
Heat exchanger.....	12		
Hygiene requirements.....	7		
<b>I</b>			
Incorrect use.....	6		
Inspection.....	20		
Installation location.....	12		
Installation orientation.....	13		
<b>M</b>			
Maintenance.....	20		
Measurement accuracy.....	23		
Measuring unit.....	23		
Misuse.....	6		
<b>N</b>			
Nominal volume flow rate.....	10		
<b>O</b>			
Operating temperature.....	23		
Operation.....	19		
Order code.....	10		
Other applicable documentation.....	3		
<b>P</b>			
Packaging.....	9		
Personnel			
Removal.....	22		
Product overview.....	10		
Protective equipment.....	8		
<b>Q</b>			
QR code.....	10		
<b>R</b>			
Rating plate.....	10		
Repair.....	8 , 20		
Replacement parts.....	8		
Residual risks.....	6		
<b>S</b>			
Safety.....	12		
Serial number.....	10		
Service.....	3 , 20		
Signs.....	6		
Sound attenuators.....	12		
Mounting.....	15		
Staff.....	8		
Storage.....	9		
Suspending.....	15		
Symbols.....	3		
System owner.....	7		
System owner's obligations.....	7		
<b>T</b>			
Technical data.....	23		
Technischer Service.....	3		
Transport.....	9		
Transport damage.....	9		
Transport inspection.....	9		
Troubleshooting.....	21		
TROX Technical Service.....	20		
<b>U</b>			
Unauthorised use.....	6		
Upstream conditions.....	14		
Use.....	6		



**V**

Volume flow rate calculation.....	19
Volume flow rate measurement.....	19

**W**

Wiring	
Installation instructions.....	17

**TROX<sup>®</sup> TECHNİK**

The art of handling air

**TROX GmbH**  
Heinrich-Trox-Platz  
47504 Neukirchen-Vluyn  
Germany

+49 (0) 2845 202-0  
+49 (0) 2845 202-265  
E-mail: [trox-de@troxgroup.com](mailto:trox-de@troxgroup.com)  
[www.troxtechnik.com](http://www.troxtechnik.com)

© TROX GmbH 2023