

▶ Control units ▶▶



**A new concept
of volume flow
measurement**

VAV terminal unit Type TVE

TROX[®] TECHNİK
The art of handling air

► The art of handling air ►►

Innovative measurement

With the new volume flow controller of Type TVE, upstream conditions, installation dependent on airflow direction and strictly limited volume flow rate control ranges are a thing of the past.

Thanks to the patented measurement principle, measured values are now determined directly on the damper blade – without measuring probes or other sensors – accurately and reliably! The large volume flow rate control range for airflow velocities from 0.5 m/s to 13 m/s offers a high degree of flexibility. Furthermore, with its compact construction, the TVE can be easily installed even in confined spaces.

As usual, the measurement principle can be both, dynamic and static – for example, in particularly polluted air.



The reduction in length allows for installation in confined spaces. A straight upstream section is no longer necessary.



Circular



∅ 100, 125, 160, 200, 250 mm



For the first time, the effective pressure absorption is integrated directly into the damper so that the damper is used simultaneously for volume flow rate measurement and volume flow rate control.



Control component

The consistent modular design permits:

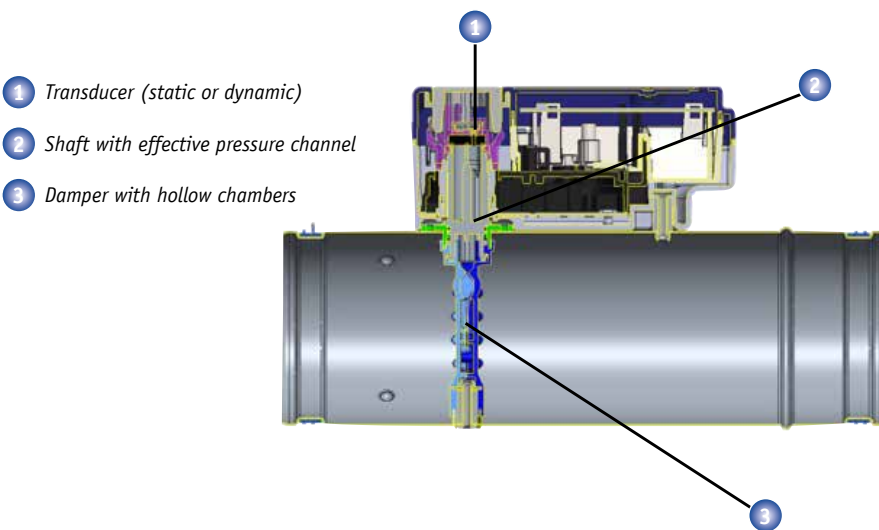
- Concept according to the proven Easy Design
- Compact variant with option for Modbus interface (best possible connection to X-AIRCONTROL)
- Variant with static transducer
- Optional LCD display



► All advantages at a glance ►►

Short, precise and variable

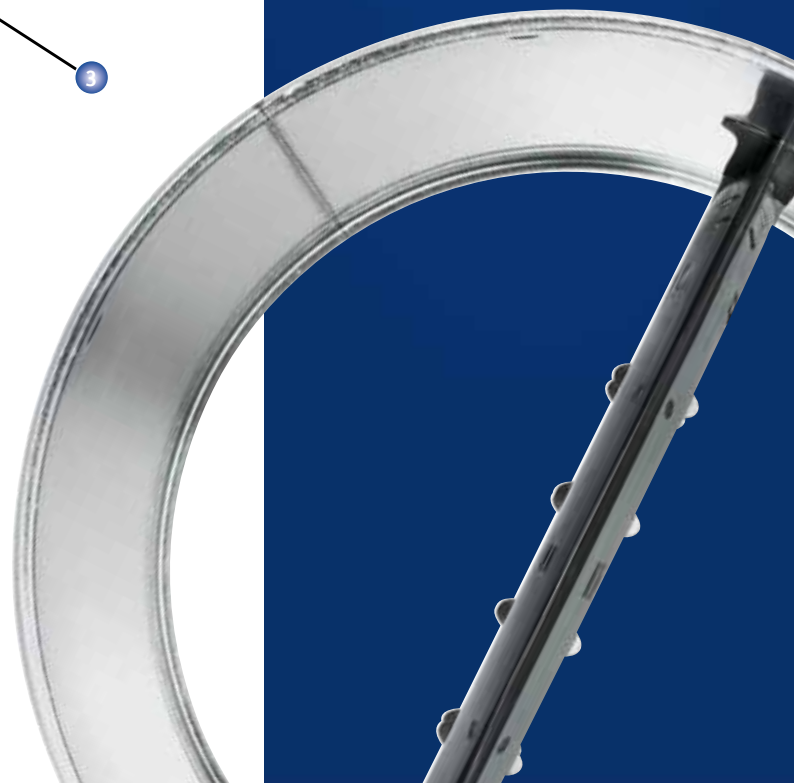
- Space saving installation, as upstream sections are not required
- Large volume flow rate control range for airflow velocities between 0.5 m/s and 13 m/s (flow rate range approx. 1:25)
- Considerable cost savings due to the terminal strip on the controller for electrical connection
- Installation errors prevented due to airflow direction on both sides (with dynamic transducer)
- Easy cleaning as there are no interfering measuring components in and on the duct
- Reliable measurement as the relation between damper blade position and differential pressure is stored in the controller
- Large selection of controller variants and interfaces (as well as connection to X-AIRCONTROL)
- Simple assembly and disassembly of the actuator including integrated sensor system
- Compact construction, from 310 mm

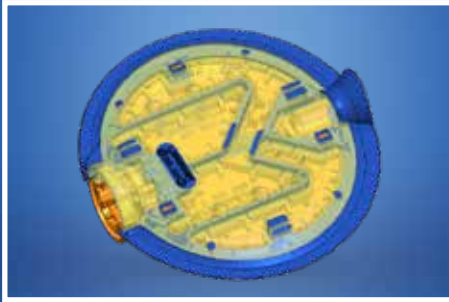


Modbus variant (-J6) with intelligent connection to X-AIRCONTROL



The new TVE volume flow controller, also available for constructions with acoustic cladding





TROX[®] TECHNIK

The art of handling air

TROX GmbH

Heinrich-Trox-Platz

47504 Neukirchen-Vluyn, Germany

Phone +49 28 45 202 0

Fax +49 28 45 202 265

trox@trox.de

www.troxtechnik.com